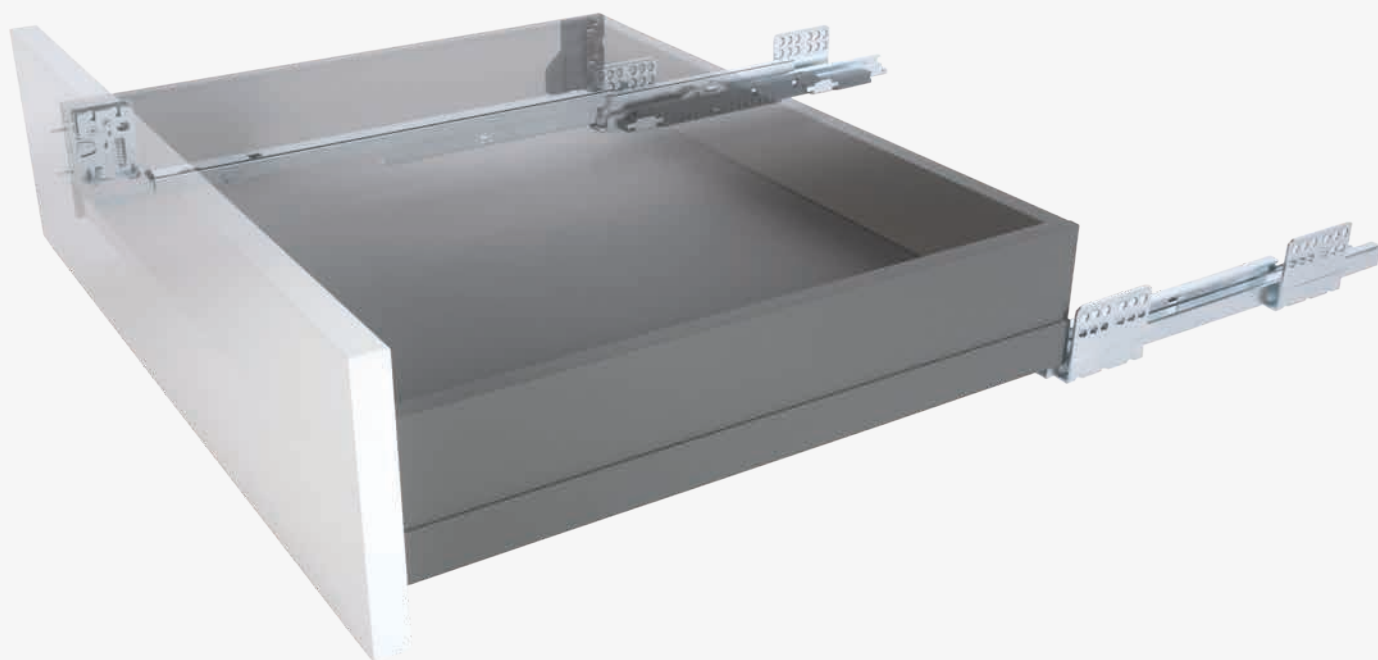


# Ten<sup>2</sup>

A DRAWER  
EVOLUTION



CONTAINING



FORMENTI & GIOVENZANA  
PROVIDES FUNCTIONAL  
SOLUTIONS FOR FURNITURE TO  
MEET THE REAL NEEDS OF A  
LARGE NUMBER OF CUSTOMERS.

---

All products are conceived and supplied with care and quality and are offered to the market at a competitive price. In this way, Formenti & Giovenzana contributes globally to increase the satisfaction of the customers buying furniture, giving access to pleasing features and improving the quality of life of the consumers.

# Content

---

- 02 – INTRO
- 04 – REASONS TO CHOOSE TEN<sup>2</sup>
- 06 – TEN<sup>2</sup>
- 08 – TEN<sup>2</sup> DRAWER H90
- 10 – TEN<sup>2</sup> DRAWER H120
- 12 – TEN<sup>2</sup> DRAWER H180
- 14 – TEN<sup>2</sup> SLIDES
- 16 – TEN<sup>2</sup> ONETOUCH+SLOWMOTION TECHNOLOGY
- 18 – TEN<sup>2</sup> STEEL BACK PANELS
- 20 – TEN<sup>2</sup> BACK FIXINGS FOR WOODEN BACK PANEL
- 22 – TEN<sup>2</sup> RECTANGULAR RAILING SYSTEM
- 24 – TEN<sup>2</sup> IN INTERNAL DRAWER CRYSTAL FRONT
- 26 – TEN<sup>2</sup> IN INTERNAL DRAWER ALUMINIUM FRONT
- 28 – TEN<sup>2</sup> STABILIZER KIT
- 30 – TEN<sup>2</sup> ACQUARIO UNDERSINK SOLUTION
- 32 – TEN<sup>2</sup> KIT UNDERSINK
- 34 – TEN<sup>2</sup> STANDARD DRAWER KIT
- 36 – TEN<sup>2</sup> MACHINES & ACCESSORIES
- 38 – INSTRUCTIONS OF USE



## TEN<sup>2</sup>

DOUBLE WALL METAL DRAWER  
SLIM AND ELEGANTE SHAPE  
BRILLANT AND TRENDY COLOURS  
MOTION AT ITS BEST  
ONETOUCH+SLOWMOTION  
TECHNOLOGY

Ten<sup>2</sup> is the high quality and high performance double wall drawer technology with slim and elegant shape. Ten<sup>2</sup> is a complete range covering all usual applications with clever solutions, Italian design and elegance. Ten<sup>2</sup> stands for fulfilment of the highest criteria where every detail counts. Ten<sup>2</sup> is a synonymous of state-of-the-art conception, use of environmental friendly materials and production solutions.

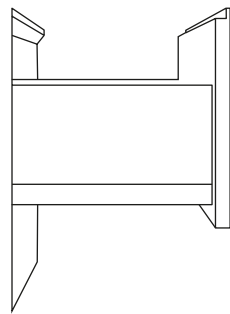
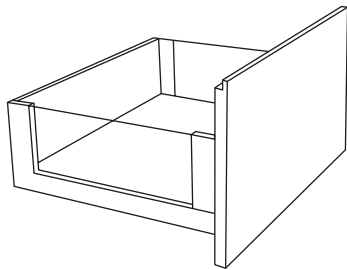




# Reasons to choose Ten<sup>2</sup>

## SLIM AND ELEGANT SHAPE

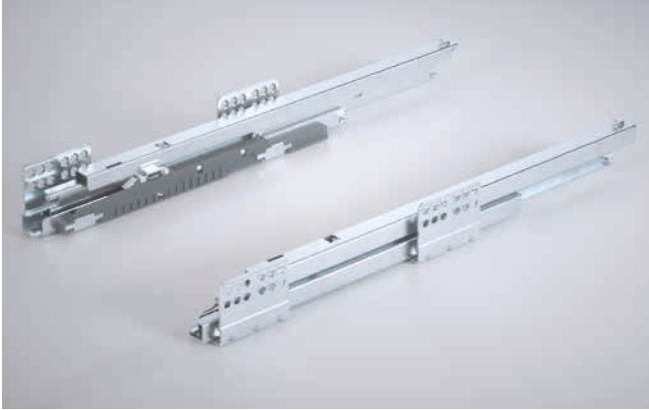
The Ten<sup>2</sup> drawer system is characterized by a slim shape and an enriched superior design. The lateral panels available in three different heights allow to create elegant drawer and pan drawer solutions maximizing storage space. The versatile application of the rectangular railing system offers excellent and additional lateral retention solutions. The Crystal version with a totally clear glass (or customized material), integrated into the metal lateral panel, is a perfect application to add a touch of impeccable style and sophisticated look to the whole program.



## BRILLIANT AND TRENDY COLOURS

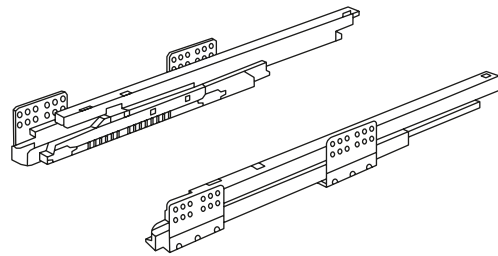
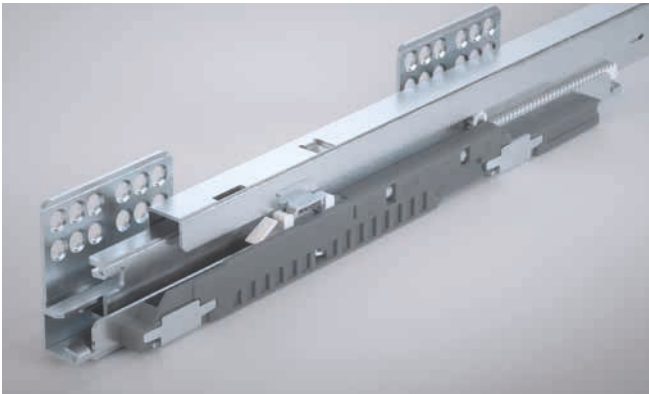
The Ten<sup>2</sup> drawer is available in a full range of colours; from standard White and Grey to innovative Storm Grey and Coffee Black to create drawers with modern look and matching perfectly with wood and current design trends. The final result is an elegant and high end furniture appeal.





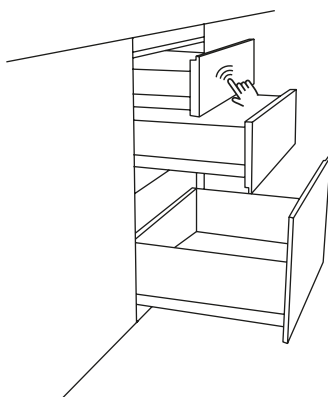
## MOTION AT ITS BEST

Further improvements on the Ten<sup>2</sup> slides guarantee better performance according to soft sliding movement and high stability. The full extension sliding system with a load capacity of 45kg throughout the range, is equipped with Dual-Synchro stabilisation for noiseless and a new powerful SlowMotion damper for perfect operation and long lasting function.

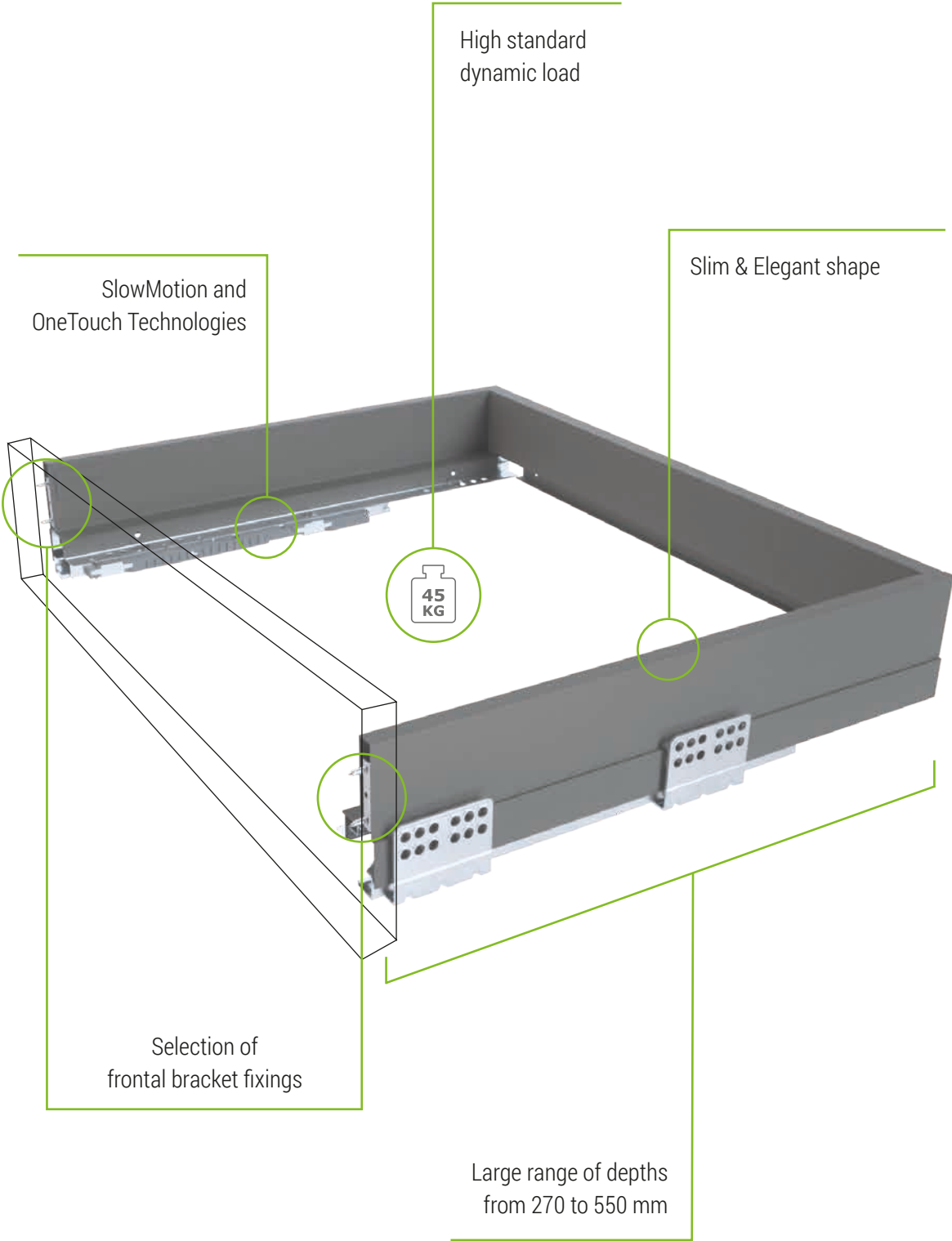


## ONETOUCH+ SLOWMOTION TECHNOLOGY

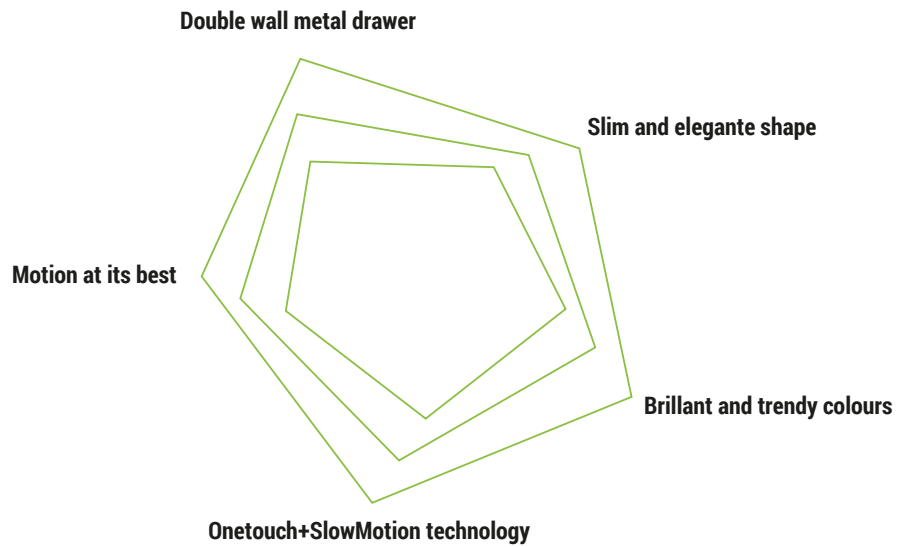
Never so easy to open and close a drawer with the new OneTouch+SlowMotion System. A completely hidden mechanism that ensures, with a gentle press on the front, a perfect and silent opening and soft closing. Depth adjustment on both sides guarantees precise front gap regulation. Easy to install, no cables or electricity required.



# Ten<sup>2</sup>



PERFORMANCE



A QUALITY RANGE

Ten<sup>2</sup> is the a high quality and high performance double wall drawer technology with extra slim shape. A complete product range covers all usual applications with clever solutions, Italian design and elegance.

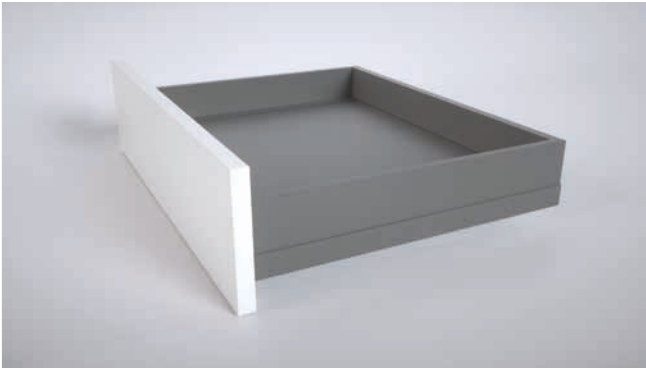


DETAILS THAT MAKE A DIFFERENCE

Ten<sup>2</sup> is a synonymous of state-of-the-art conception, use of environmental friendly materials and production solutions standing for a fulfilment of the highest criteria where every detail counts.



## Ten<sup>2</sup> Drawer H90



### Technical Specifications:

- Double wall steel drawer height 90 mm with slim shape
- Large range of depth from 275 to 550 mm
- 45kg of load capacity all over the range
- Bottom fixing via ClawFix or screws without processing on the panel
- Steel front fixing mechanism available with screws or dowels for strong and secure fixing
- Vertical and horizontal adjustment in the front fixing mechanism
- Decorative cover cap with possibility of customisation
- Metal epoxy finish in four colours: Coffee Black and Storm Grey for high end look and perfect match for wooden and modern finishes, standard Grey and Polar White for a linear and clean look
- Strong design features and state-of-the-art technology

Code	Description	Packing
58.Y0A0.**.27.00000	Left and right drawer side 275	Industrial
58.Y0A0.**.30.00000	Left and right drawer side 300	Industrial
58.Y0A0.**.35.00000	Left and right drawer side 350	Industrial
58.Y0A0.**.40.00000	Left and right drawer side 400	Industrial
58.Y0A0.**.45.00000	Left and right drawer side 450	Industrial
58.Y0A0.**.50.00000	Left and right drawer side 500	Industrial
58.Y0A0.**.55.00000	Left and right drawer side 550	Industrial

\*\* colour codes: N2 = Coffee Black / S8 = Storm Grey / A6 = standard Grey / F1 = Polar White.  
Industrial packing composed by: 1 box with 10 right sides and 1 box with 10 left sides.

Code	Description	Packing
58.YM00.**.0000.000	Cover cap with FGV logo	1000 pcs
58.YM00.**.0000.00N	Cover cap without logo	1000 pcs

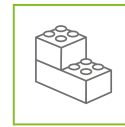
\*\* plastic colour codes: N2 = Coffee Black / S8 = Storm Grey / A6 = standard Grey / F1 = Polar White.  
It is possible to order embossed or silk-screen printing cover cap.



SLOWMOTION



ONETOUCH



EASY ASSEMBLY



PERFECT INDUSTRIALISATION

Code	Description	Packing
58.AY10.07.0000.000	Front brackets for self-tapping screws (n.1000 screws included)	500 pcs
58.AY20.07.0000.000	Front brackets with 10 mm knock-in dowels	500 pcs
58.AY30.07.0000.000	Front brackets with 10 mm expanding dowels	500 pcs
58.AY40.07.0000.000	Front brackets for self-tapping screws - Special pattern	500 pcs



Front brackets for self-tapping screws

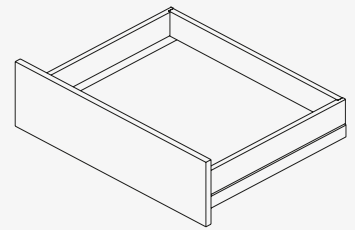
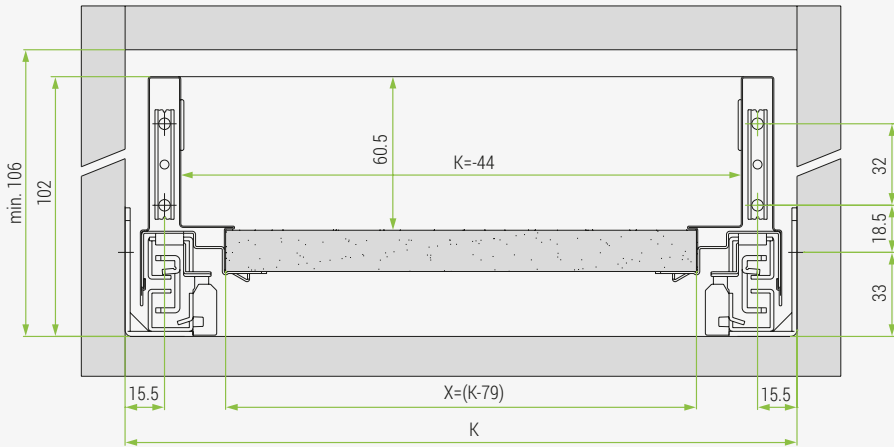


Front brackets with 10 mm knock-in dowels

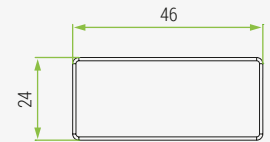


Front brackets with 10 mm expanding dowels

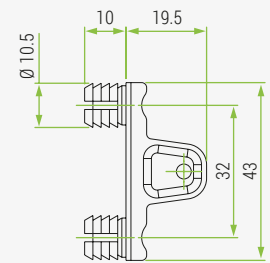
## Front drilling & dimensions



Cover cap

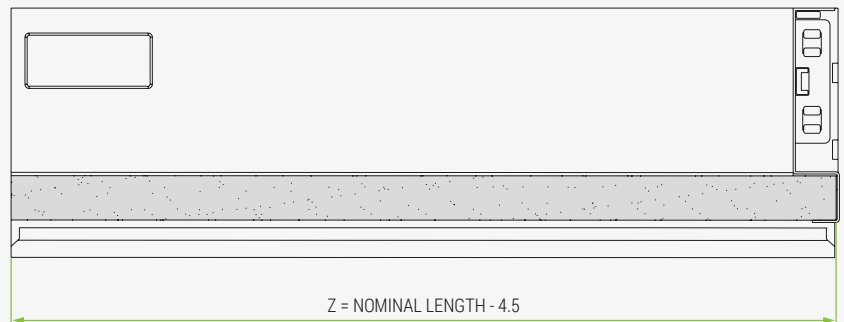
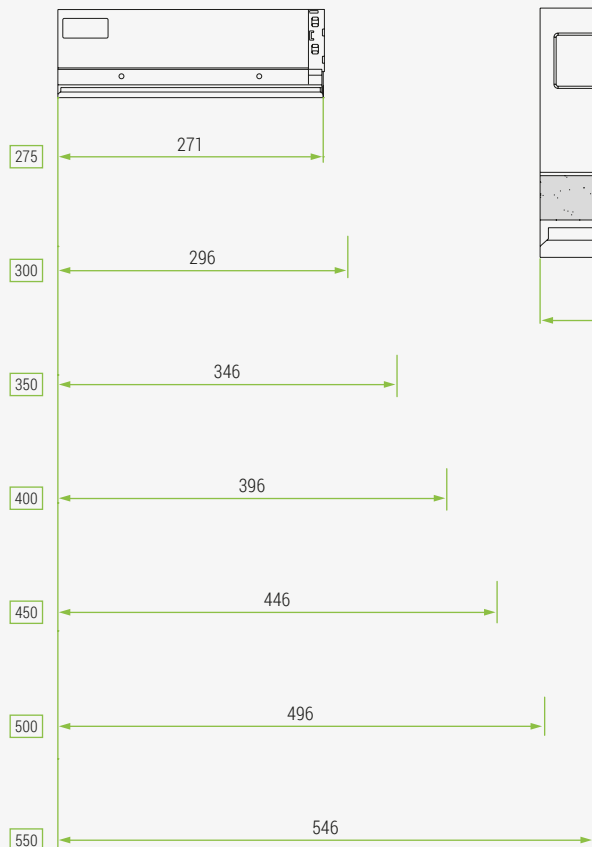


Front bracket with 10 mm dowels

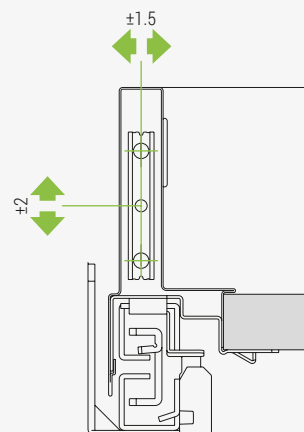


<b>X</b>	Bottom panel width
<b>K</b>	Internal cabinet width
<b>Z</b>	Bottom panel length

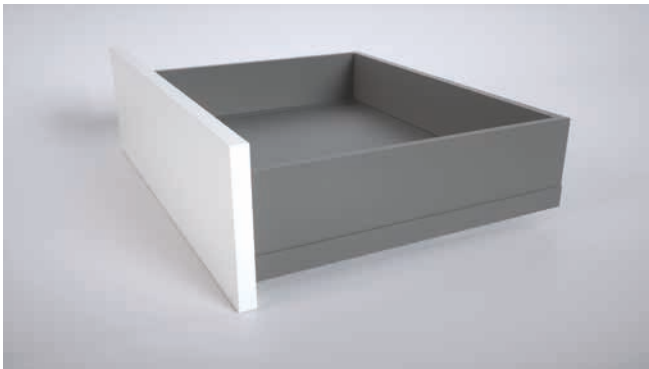
## Drawer side dimensions



## Adjustments



## Ten<sup>2</sup> Drawer H120



### Technical Specifications:

- Double wall steel drawer height 120 mm with slim shape
- Large range of depth from 275 to 550 mm
- 45kg of load capacity all over the range
- Bottom fixing via ClawFix or screws without processing on the panel
- Steel front fixing mechanism available with screws or dowels for strong and secure fixing
- Vertical and horizontal adjustment in the front fixing mechanism
- Decorative cover cap with possibility of customisation
- Metal epoxy finish in four colours: Coffee Black and Storm Grey for high end look and perfect match for wooden and modern finishes, standard Grey and Polar White for a linear and clean look
- Strong design features and state-of-the-art technology

Code	Description	Packing
58.Y0B0.**.27.00000	Left and right drawer side 275	Industrial
58.Y0B0.**.30.00000	Left and right drawer side 300	Industrial
58.Y0B0.**.35.00000	Left and right drawer side 350	Industrial
58.Y0B0.**.40.00000	Left and right drawer side 400	Industrial
58.Y0B0.**.45.00000	Left and right drawer side 450	Industrial
58.Y0B0.**.50.00000	Left and right drawer side 500	Industrial
58.Y0B0.**.55.00000	Left and right drawer side 550	Industrial

\*\* colour codes: N2 = Coffee Black / S8 = Storm Grey / A6 = standard Grey / F1 = Polar White.  
Industrial packing composed by: 1 box with 10 right sides and 1 box with 10 left sides.

Code	Description	Packing
58.YM00.**.0000.000	Cover cap with FGV logo	1000 pcs
58.YM00.**.0000.00N	Cover cap without logo	1000 pcs

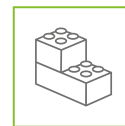
\*\* plastic colour codes: N2 = Coffee Black / S8 = Storm Grey / A6 = standard Grey / F1 = Polar White.  
It is possible to order embossed or silk-screen printing cover cap.



SLOWMOTION



ONETOUCH



EASY ASSEMBLY



PERFECT INDUSTRIALISATION

Code	Description	Packing
58.AY10.07.0000.000	Front brackets for self-tapping screws (n.1000 screws included)	500 pcs
58.AY20.07.0000.000	Front brackets with 10 mm knock-in dowels	500 pcs
58.AY30.07.0000.000	Front brackets with 10 mm expanding dowels	500 pcs
58.AY40.07.0000.000	Front brackets for self-tapping screws - Special pattern	500 pcs



Front brackets for self-tapping screws



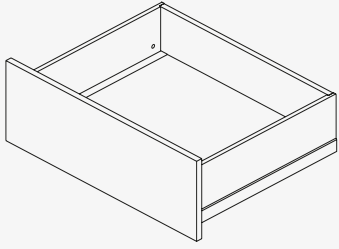
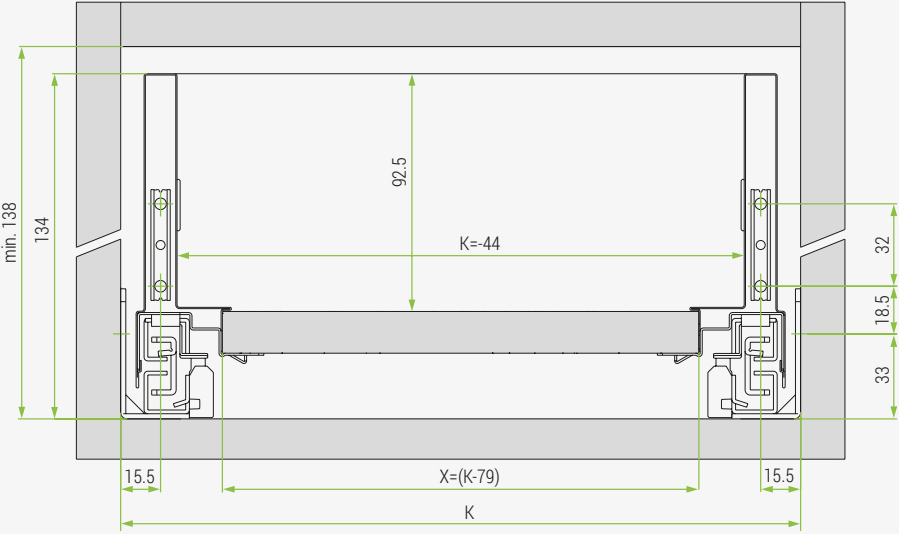
Front brackets with 10 mm knock-in dowels



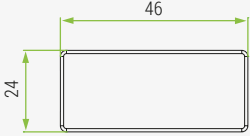
Front brackets with 10 mm expanding dowels



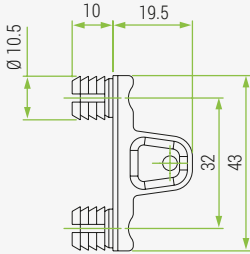
Front drilling & dimensions



Cover cap

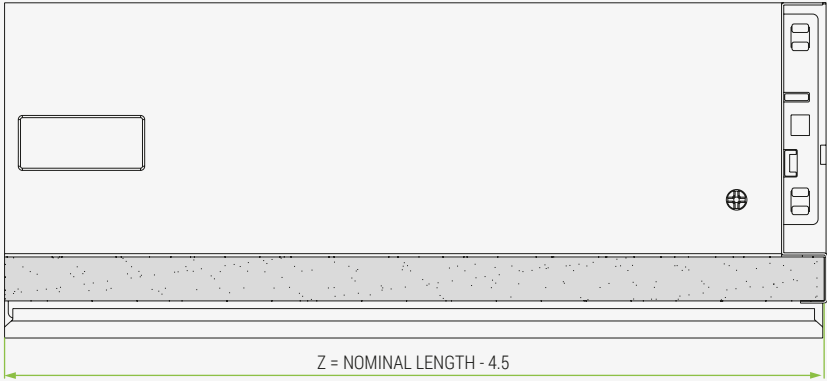
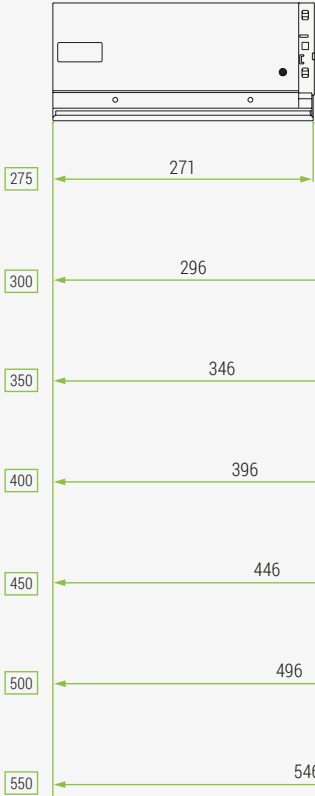


Front bracket with 10 mm dowels

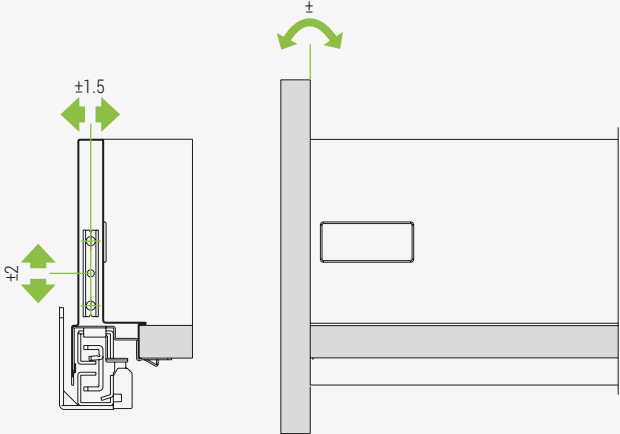


<b>X</b>	Bottom panel width
<b>K</b>	Internal cabinet width
<b>Z</b>	Bottom panel length

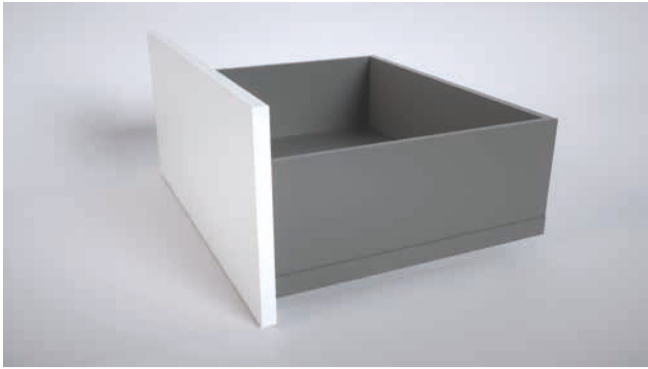
Drawer side dimensions



Adjustments



## Ten<sup>2</sup> Drawer H180



### Technical Specifications:

- Double wall steel drawer height 180 mm with slim shape
- Large range of depth from 275 to 550 mm
- 45kg of load capacity all over the range
- Bottom fixing via ClawFix or screws without processing on the panel
- Steel front fixing mechanism available with screws or dowels for strong and secure fixing
- Vertical and horizontal adjustment in the front fixing mechanism
- Decorative cover cap with possibility of customisation
- Metal epoxy finish in four colours: Coffee Black and Storm Grey for high end look and perfect match for wooden and modern finishes, standard Grey and Polar White for a linear and clean look
- Strong design features and state-of-the-art technology

Code	Description	Packing
58.Y0S0.**.27.00000	Left and right drawer side 275	Industrial
58.Y0S0.**.30.00000	Left and right drawer side 300	Industrial
58.Y0S0.**.35.00000	Left and right drawer side 350	Industrial
58.Y0S0.**.40.00000	Left and right drawer side 400	Industrial
58.Y0S0.**.45.00000	Left and right drawer side 450	Industrial
58.Y0S0.**.50.00000	Left and right drawer side 500	Industrial
58.Y0S0.**.55.00000	Left and right drawer side 550	Industrial

\*\* colour codes: N2 = Coffee Black / S8 = Storm Grey / A6 = standard Grey / F1 = Polar White.  
Industrial packing composed by: 1 box with 10 right sides and 1 box with 10 left sides.

Code	Description	Packing
58.YM00.**.0000.000	Cover cap with FGV logo	1000 pcs
58.YM00.**.0000.00N	Cover cap without logo	1000 pcs

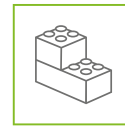
\*\* plastic colour codes: N2 = Coffee Black / S8 = Storm Grey / A6 = standard Grey / F1 = Polar White.  
It is possible to order embossed or silk-screen printing cover cap.



SLOWMOTION



ONETOUCH



EASY ASSEMBLY



PERFECT INDUSTRIALISATION

Code	Description	Packing
58.AY10.07.0000.000	Front brackets for self-tapping screws (n.1000 screws included)	500 pcs
58.AY20.07.0000.000	Front brackets with 10 mm knock-in dowels	500 pcs
58.AY30.07.0000.000	Front brackets with 10 mm expanding dowels	500 pcs
58.AY40.07.0000.000	Front brackets for self-tapping screws - Special pattern	500 pcs



Front brackets for self-tapping screws



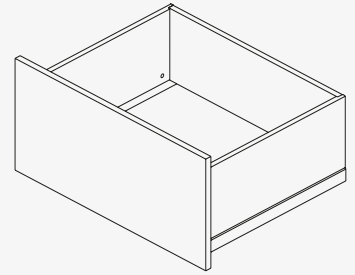
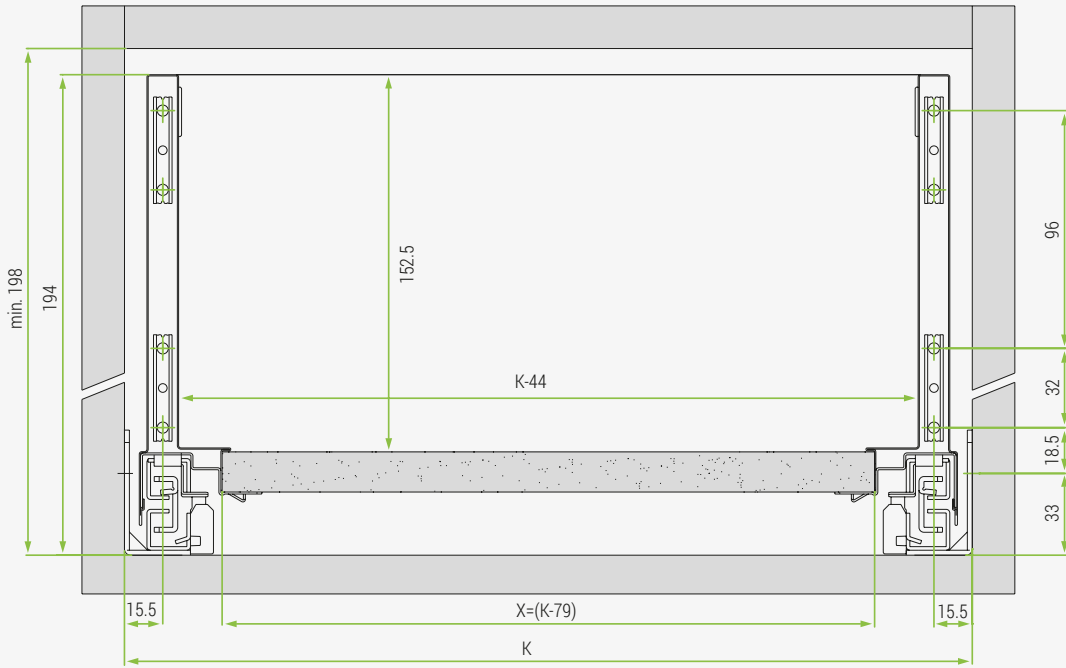
Front brackets with 10 mm knock-in dowels



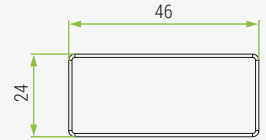
Front brackets with 10 mm expanding dowels

# Ten<sup>2</sup> Drawer H180

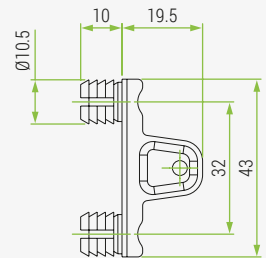
## Front drilling & dimensions



Cover cap

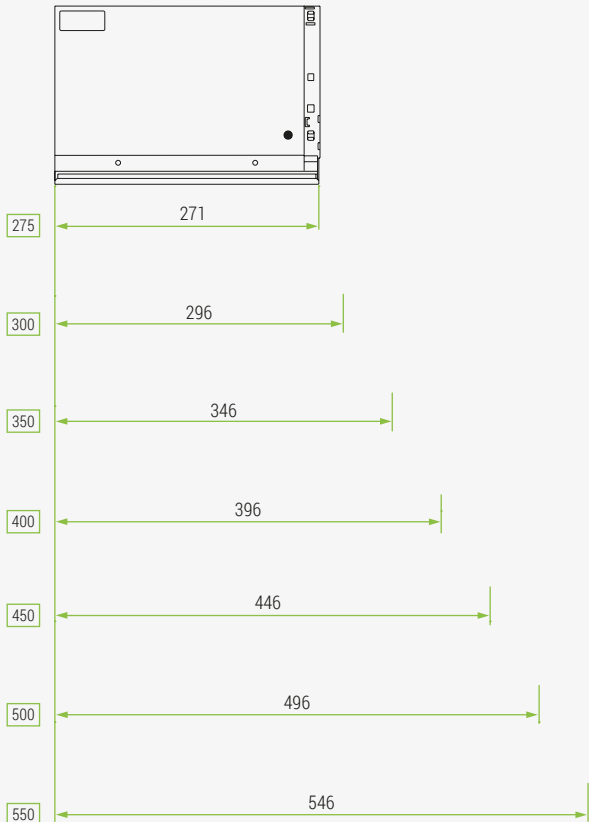


Front bracket with 10 mm dowels

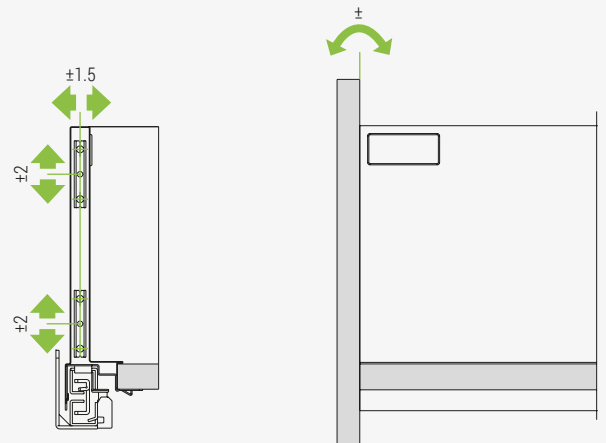


<b>X</b>	Bottom panel width
<b>K</b>	Internal cabinet width
<b>Z</b>	Bottom panel length

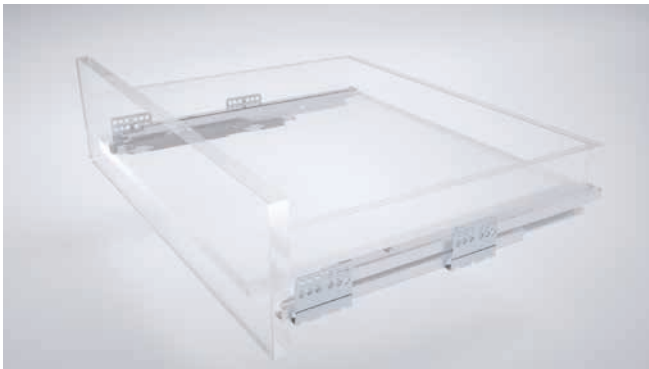
## Drawer side dimensions



## Adjustments



## Ten<sup>2</sup> Slides



### Technical Specifications:

- Full extension damped slides for high performance and smooth action
- Large range of length from 275 to 550 mm
- High 45kg standard load for ease of use throughout the applications
- High side stability thanks to Dual-Synchro® rack-and-pinion for smooth action
- Adaptive SlowMotion damping for silent and majestic closing under all load circumstances or adverse conditions
- Slide-click fixing of drawer on the slide for easy and safe connection
- Very smooth action and increased glide ability thanks to rollers with special design and materials
- Long lasting life thanks to high quality material and performance design

Code	Description	Packing
58.YEF0.A.270X0000	Left and right drawer slide 275	Industrial
58.YEF0.A.300X0000	Left and right drawer slide 300	Industrial
58.YEF0.A.350X0000	Left and right drawer slide 350	Industrial
58.YEF0.A.400X0000	Left and right drawer slide 400	Industrial
58.YEF0.A.450X0000	Left and right drawer slide 450	Industrial
58.YEF0.A.500X0000	Left and right drawer slide 500	Industrial
58.YEF0.A.550X0000	Left and right drawer slide 550	Industrial

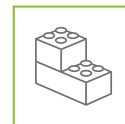
Industrial packing composed by: 1 box with 10 right slides and 1 box with 10 left slides.



SLOWMOTION



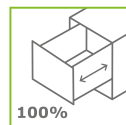
ONETOUCH



EASY ASSEMBLY



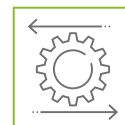
PERFECT INDUSTRIALISATION



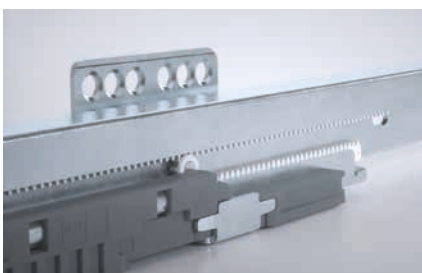
100%  
ESTRAZIONE TOTALE



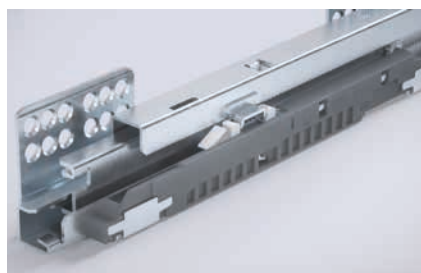
45  
KG  
CARICO DINAMICO



DUAL-SYNCHRO



Dual-Synchro for high side stability

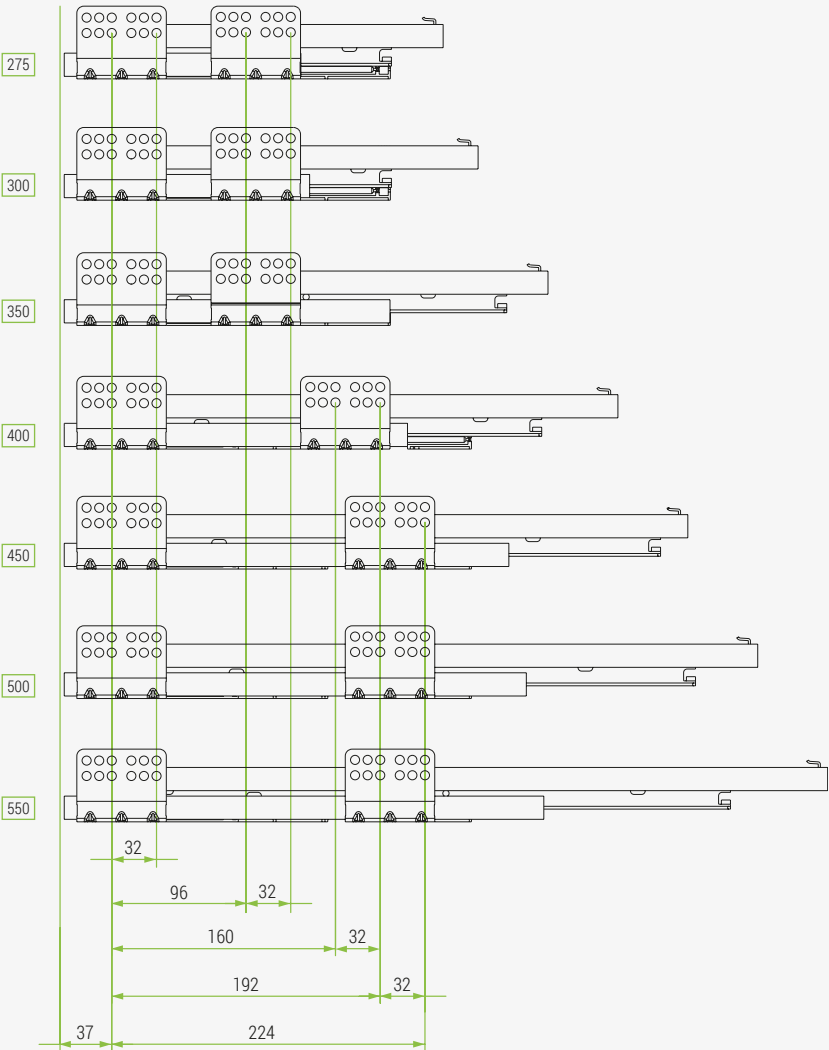
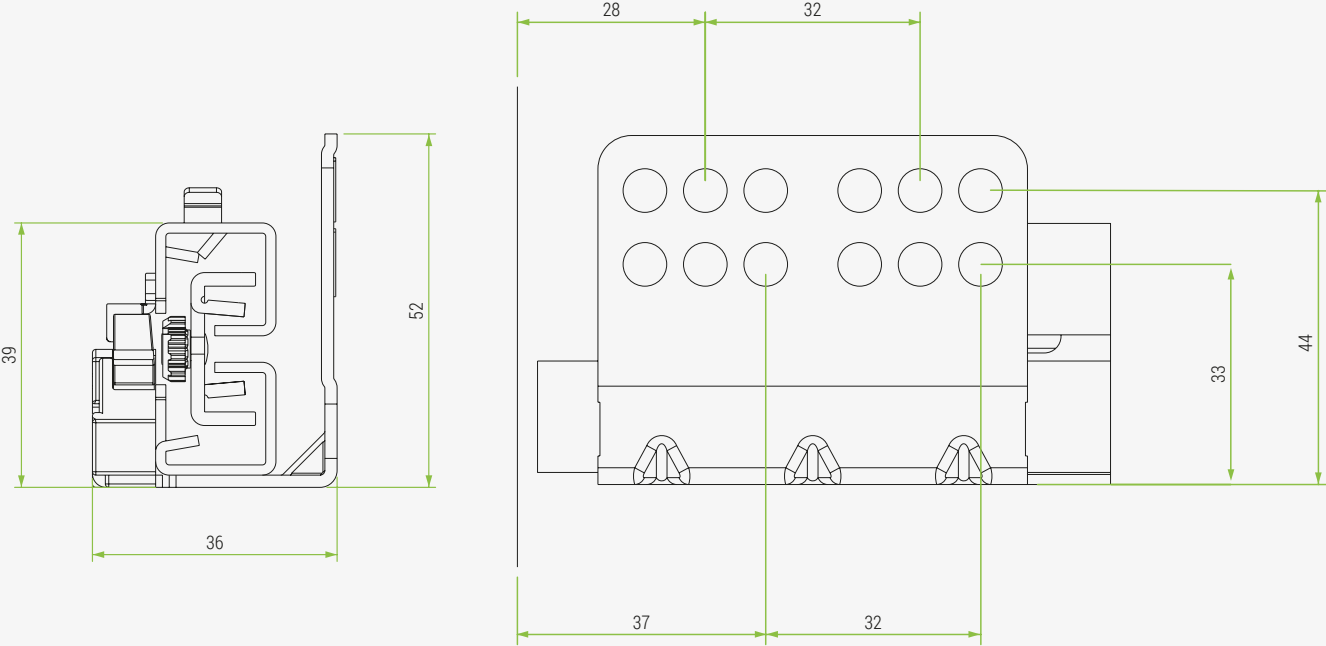


SlowMotion adaptive damping



Tool-less slide-fixing of drawer on slide

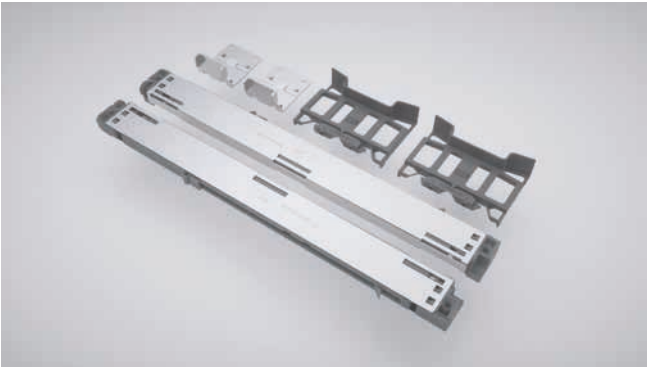
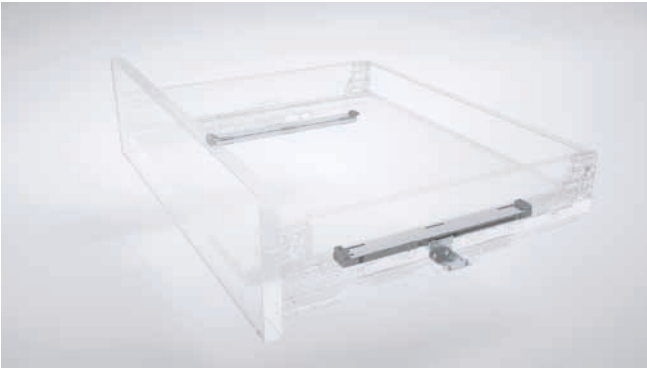
Slides dimensions & drilling position



Nominal length	Slide length
275	275
300	299
350	349
400	399
450	449
500	499
550	549

Cabinet depth = slide length + 3 mm

## Ten<sup>2</sup> OneTouch+SlowMotion technology



### Technical Specifications:

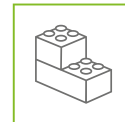
- Add-on device for hand-less furniture with integrated SlowMotion technology
- Efficient and easy to install on standard Ten<sup>2</sup> drawer
- Mechanical solution: no wires or electrical connection required
- Minimum and adjustable gap between the door and the cabinet
- It works normally even if the drawer is pulled outwards
- It can be retrofitted anytime
- Invisible installation under the drawer
- Just a light touch and the drawer opens by itself
- Smooth and silent closure without any effort



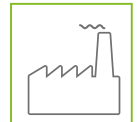
SLOWMOTION



ONETOUCH

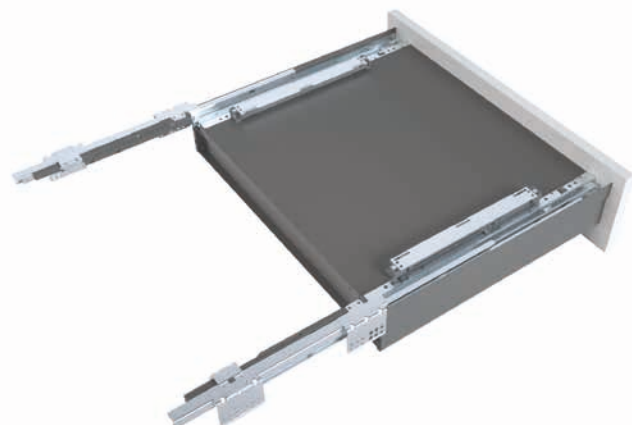
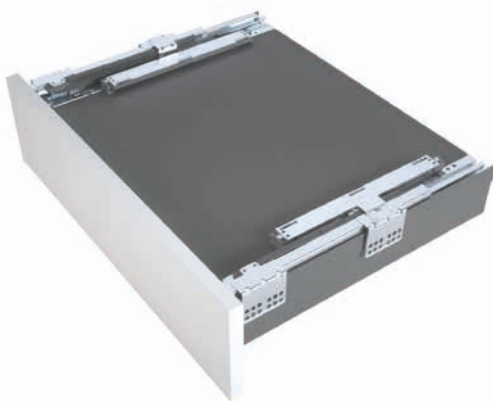


EASY ASSEMBLY



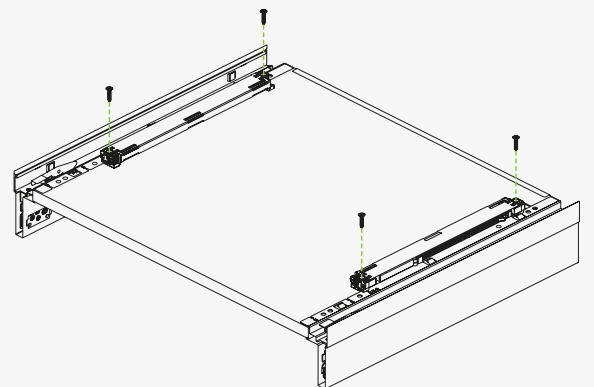
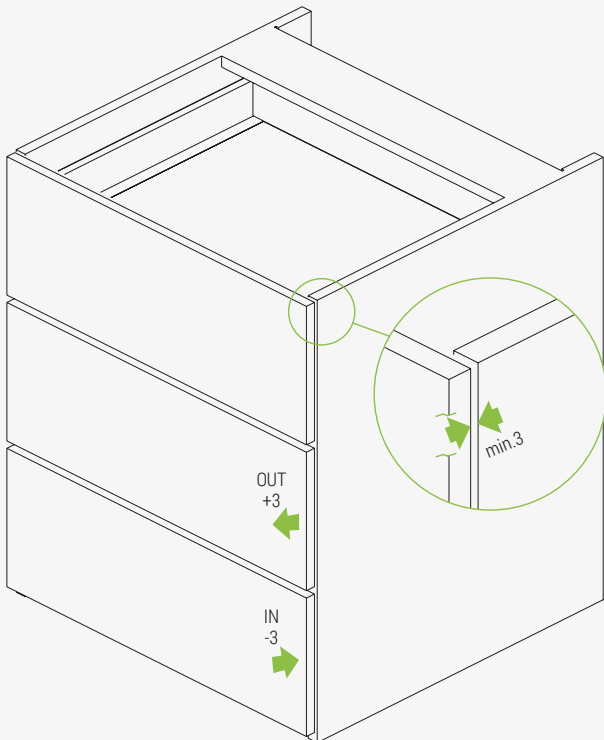
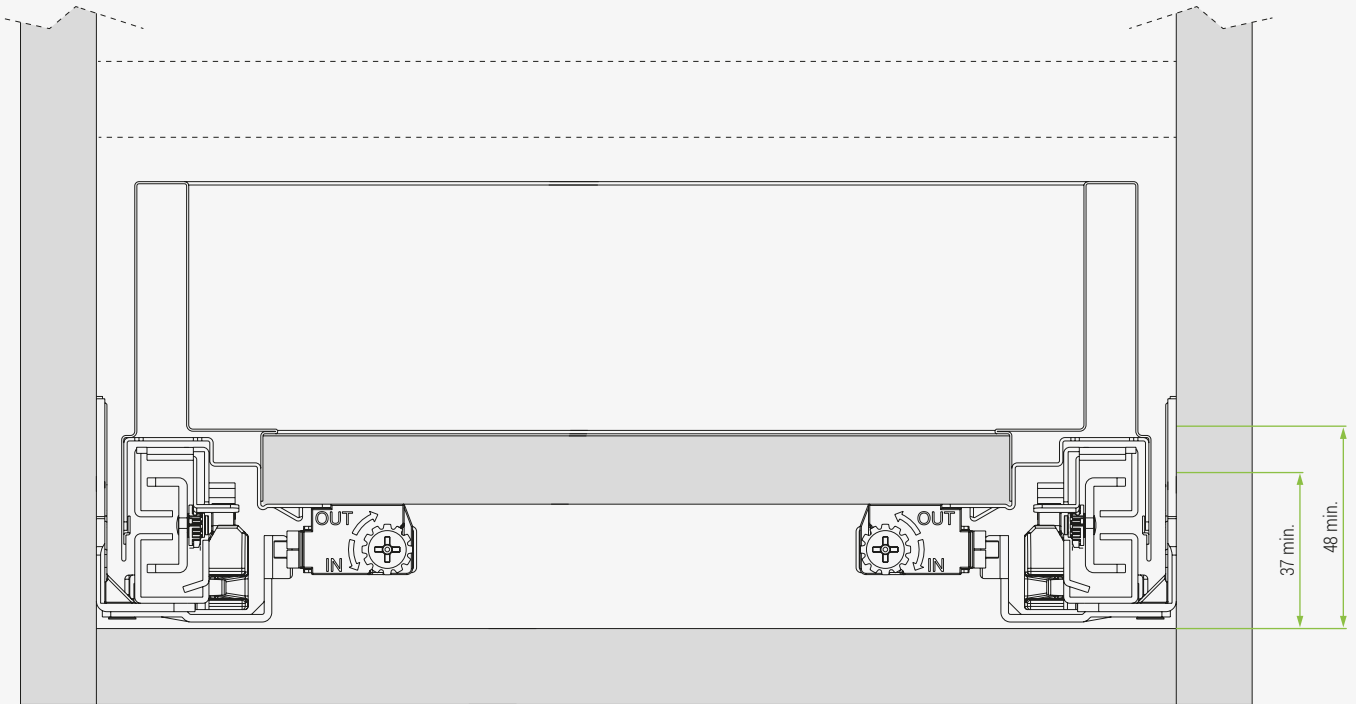
PERFECT INDUSTRIALISATION

Code	Description	Packing
58.YM02.06.0000000	Kit OneTouch+SlowMotion technology	10 kits
Kit consisting of: 2 OneTouch+SlowMotion devices, 2 drilling jig, 2 brackets, fixing screws. Available for drawer depths from 350 to 550 mm		

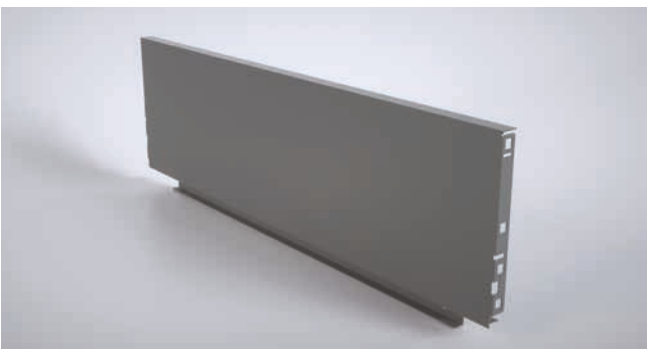
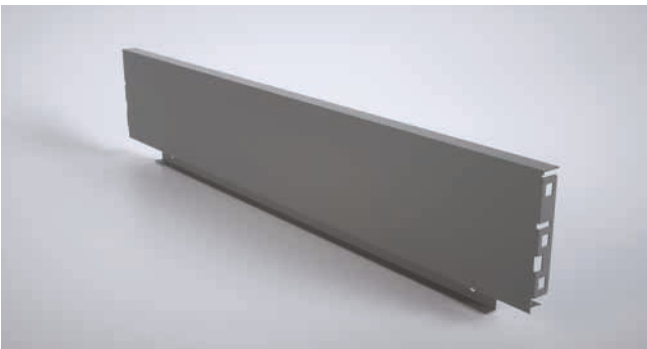
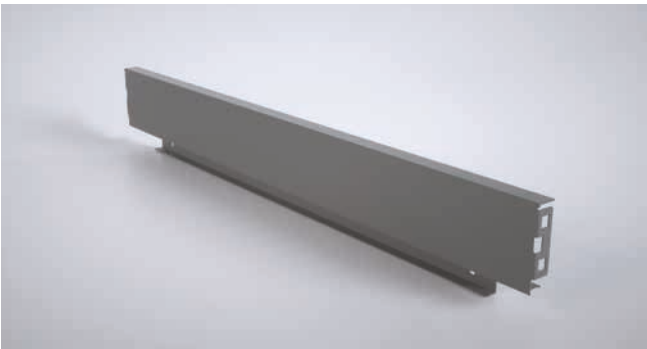
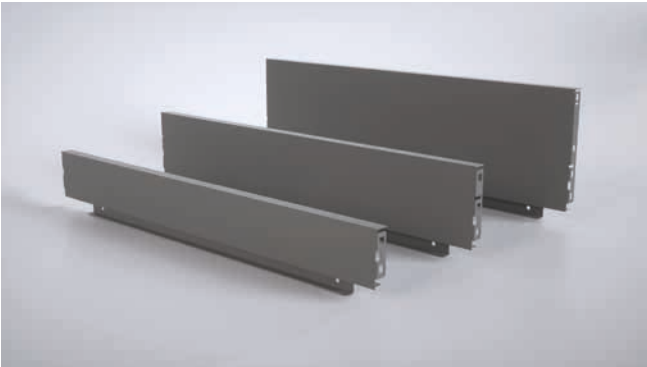
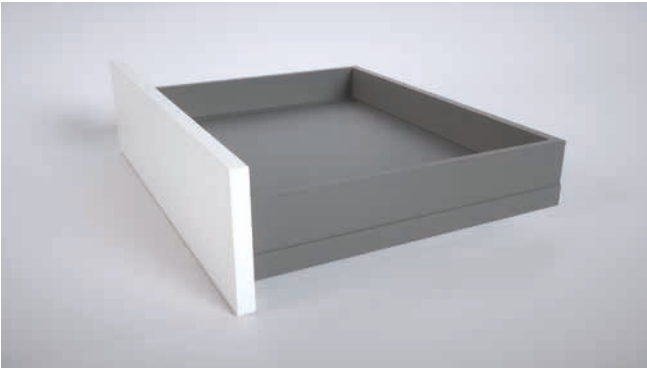


View of the OneTouch+SlowMotion device assembled under the drawer

OneTouch+SlowMotion technology application



## Ten<sup>2</sup> Steel back panels



Three steel back panel heights

### Technical Specifications:

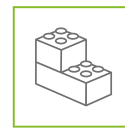
- Steel back panel for consistent look and strong construction
- Three heights: 90, 120 and 180 mm
- Ten<sup>2</sup> widths from 300 to 1200 mm
- Custom width upon request
- Available for 16 and 18 mm cabinet side panel thickness
- Thick material for strong construction and stability
- Metal epoxy finish in four colours matching perfectly the drawer finish: Coffee Black, Storm Grey, standard Grey and Polar White



SLOWMOTION



ONETOUCH



EASY ASSEMBLY



PERFECT INDUSTRIALISATION

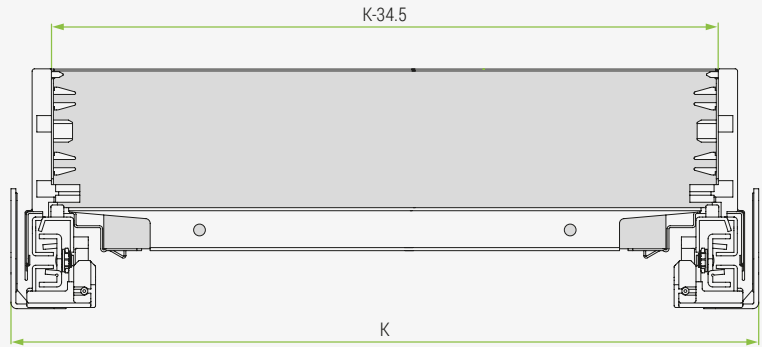
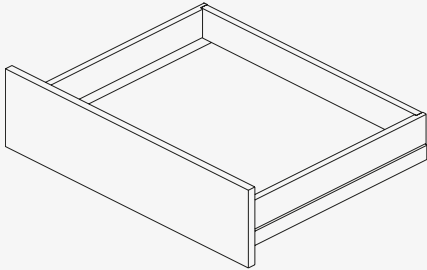
Code	Description	Packing
58.PYPA.**.^^.--.000	Steel back panel H90	20 pcs
58.PYPB.**.^^.--.000	Steel back panel H120	10 pcs
58.PYPS.**.^^.--.000	Steel back panel H180	10 pcs

\*\* colour codes: N2 = Coffee Black / S8 = Storm Grey / A6 = standard Grey / F1 = Polar White.  
 ^^ back panel width: 30/35/40/45/50/60/80/90/10/12 (example 45 stands for 450 mm cabinet width).  
 -- cabinet side panel thickness: 16/18 (mm)

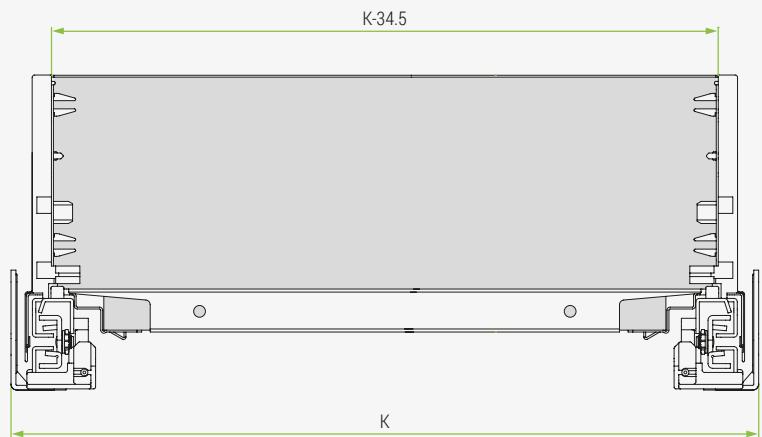
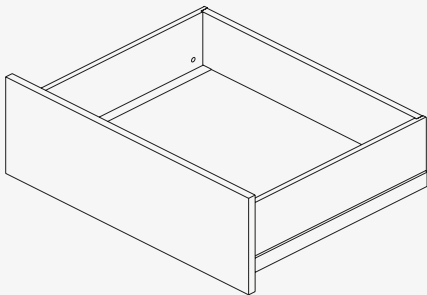


Steel back panel

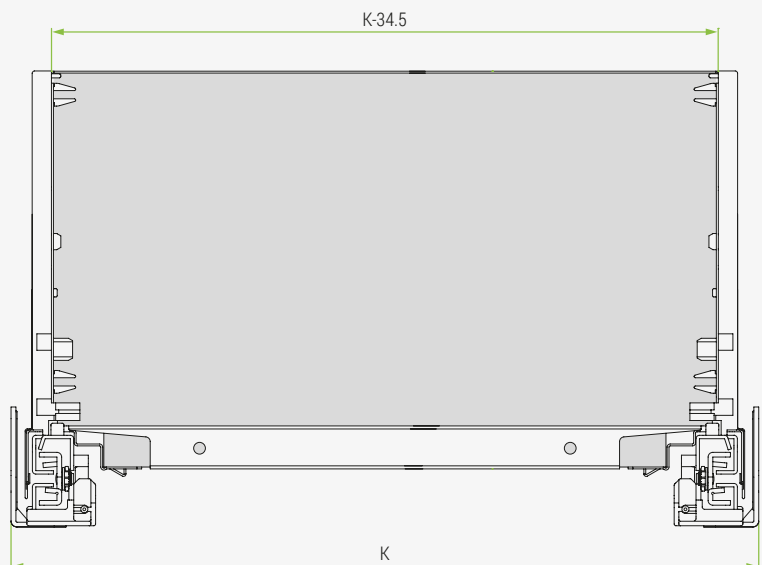
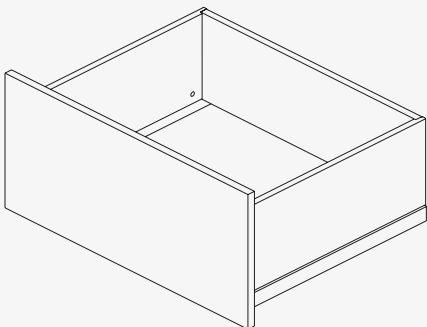
Drawer H90



Drawer H120

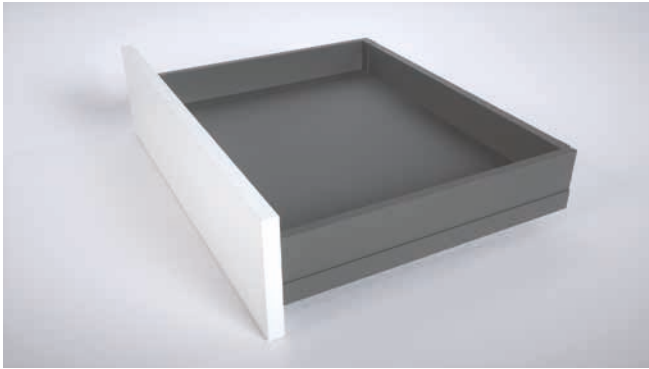


Drawer H180



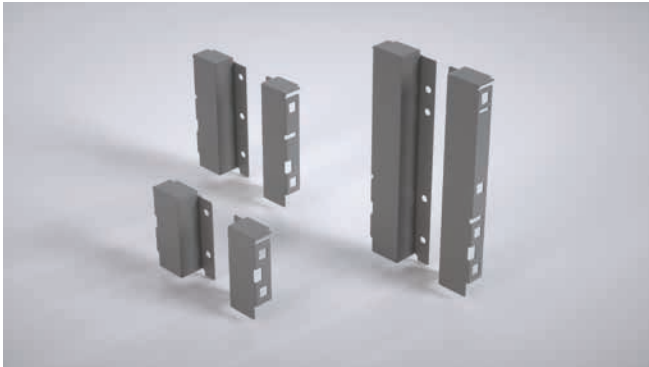
**K** Internal cabinet width

## Ten<sup>2</sup> Back fixings for wooden back panel



### Technical Specifications:

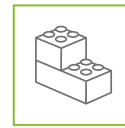
- Steel back fixings for versatility in dimensions and design
- Three heights: 90, 120 and 180 mm
- Suitable also for use with extra-high wooden backs
- Easy assembling of the wooden back panel
- Metal epoxy finish in four colours matching perfectly the drawer finish: Coffee Black, Storm Grey, standard Grey and Polar White



SLOWMOTION



ONETOUCH



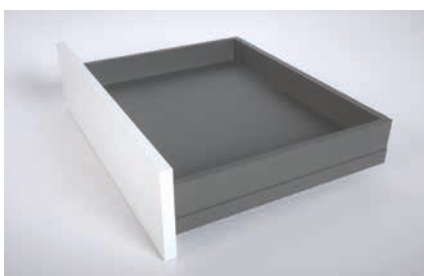
EASY ASSEMBLY



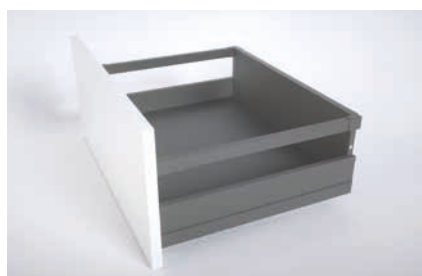
PERFECT INDUSTRIALISATION

Code	Description	Packing
58.AYPA.**.0000.000	Set of steel back fixings H90	50 sets
58.AYPB.**.0000.000	Set of steel back fixings H120	50 sets
58.AYPS.**.0000.000	Set of steel back fixings H180	50 sets

\*\* colour codes: N2 = Coffee Black / S8 = Storm Grey / A6 = standard Grey / F1 = Polar White.



Back fixing H90



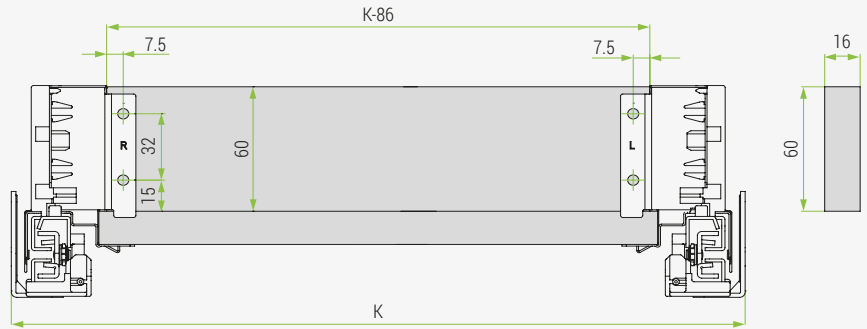
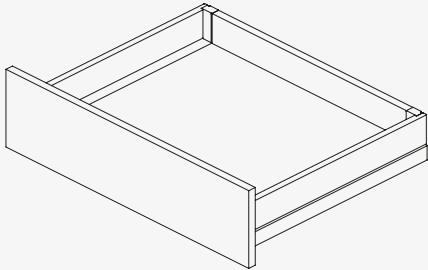
Back fixing H180 with railing



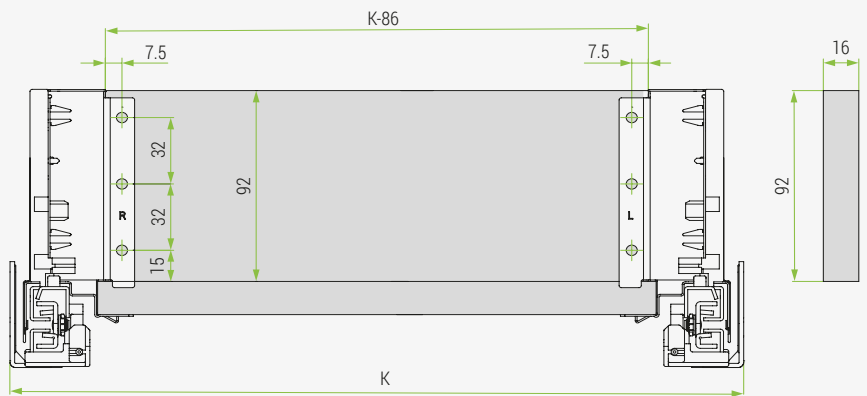
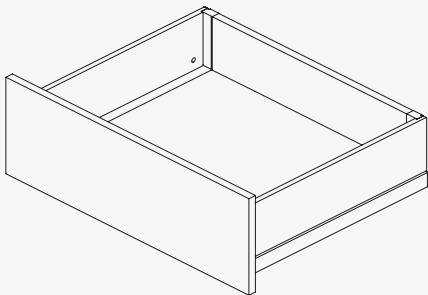
Back fixing H180

Wooden back panel - Back view

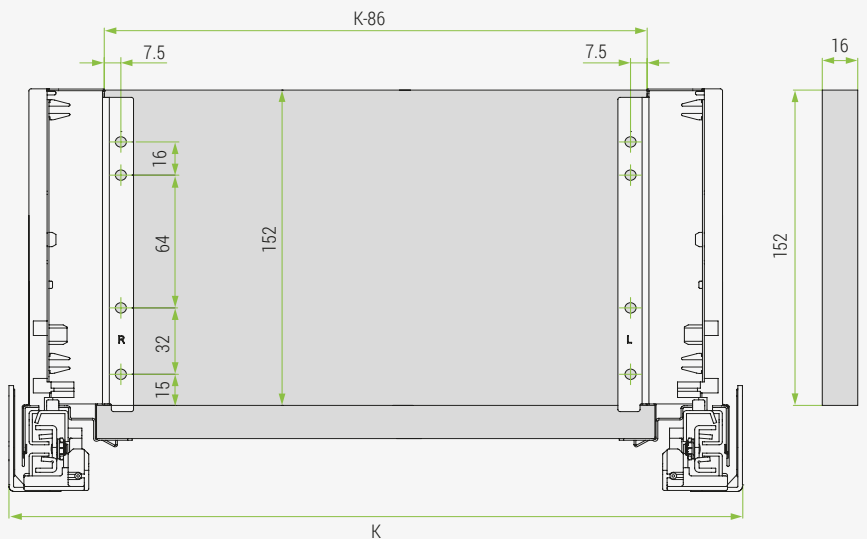
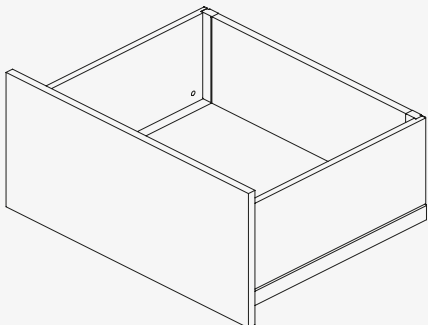
Drawer H90



Drawer H120

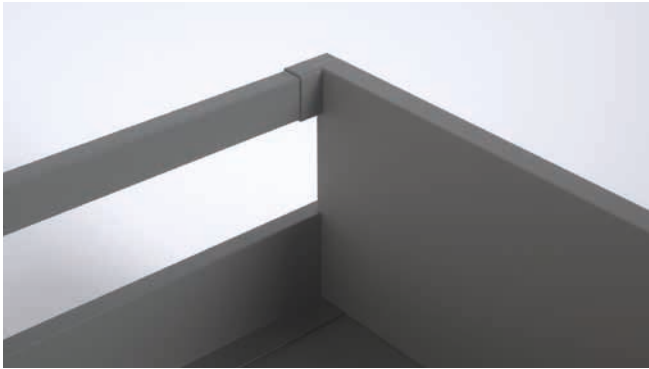
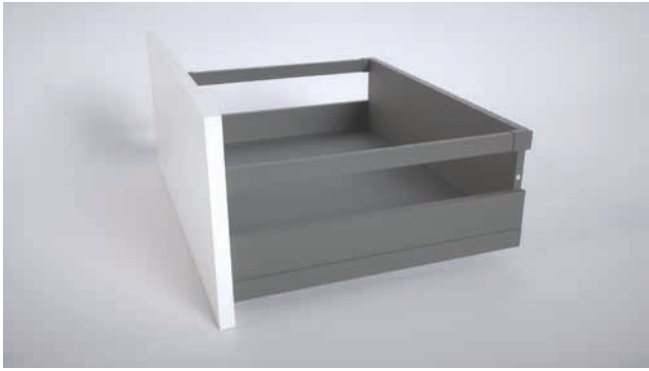


Drawer H180

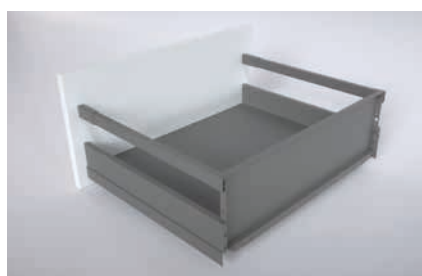


**K** Internal cabinet width

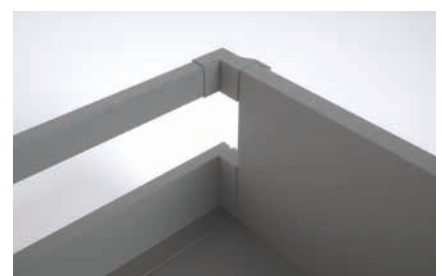
## Ten<sup>2</sup> Rectangular railing system



Screw-on railing



Pan drawer application with railing



Railing brackets application

### Technical Specifications:

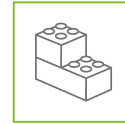
- Steel railing bars for perfect volume management and strong construction
- Seven dimensions adapted to each drawer depth
- Simple click-on bracket for safe back fixing on steel panel
- Available plastic brackets for railing free fixing positioning at any height to the wooden back panel
- Integrated inclination adjustment for +/- 3.5 mm
- Metal epoxy finish in four colours matching perfectly the drawer finish: Coffee Black, Storm Grey, standard Grey and Polar White
- Colour and finish of plastic components enhances quality feel
- Excellent side retention in high drawer applications



SLOWMOTION



ONETOUCH



EASY ASSEMBLY



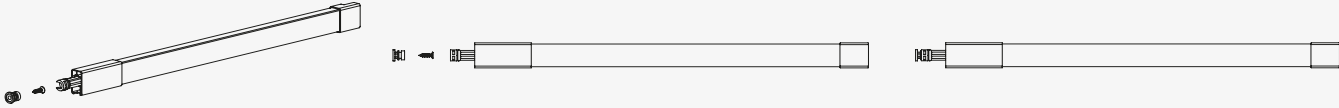
PERFECT INDUSTRIALISATION

Code	Description	Packing
58.RYD3.**.°° 00L00	Left steel rectangular railing screw-on	40 pcs
58.RYD3.**.°° 00R00	Right steel rectangular railing screw-on	40 pcs
** colour codes: N2 = Coffee Black / S8 = Storm Grey / A6 = standard Grey / F1 = Polar White. °° railing tube dimensions: 27/30/35/40/45/50/55 (example 30 stands for 300 mm railing length/drawer depth).		

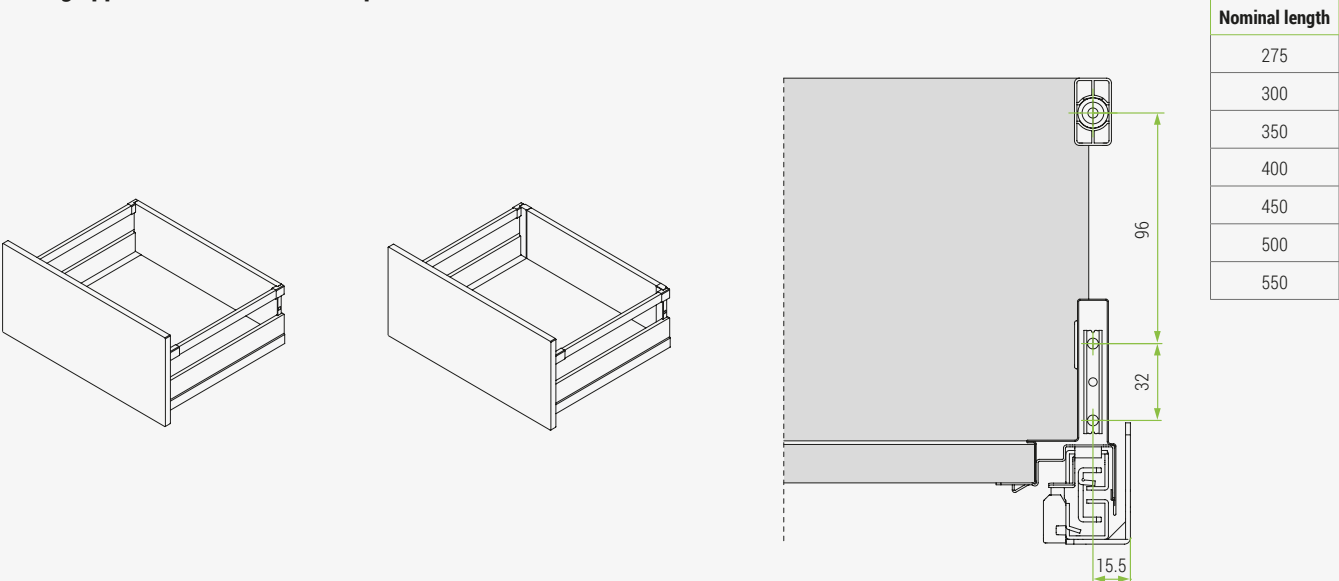
Code	Description	Packing
58.AYPW.**.000000	Set of brackets for rectangular railing fixing to the high wooden back	50 sets
**plastic colour codes: N2 = Coffee Black / S8 = Storm Grey / A6 = standard Grey / F1 = Polar White.		

To be combined with the high back wooden panel

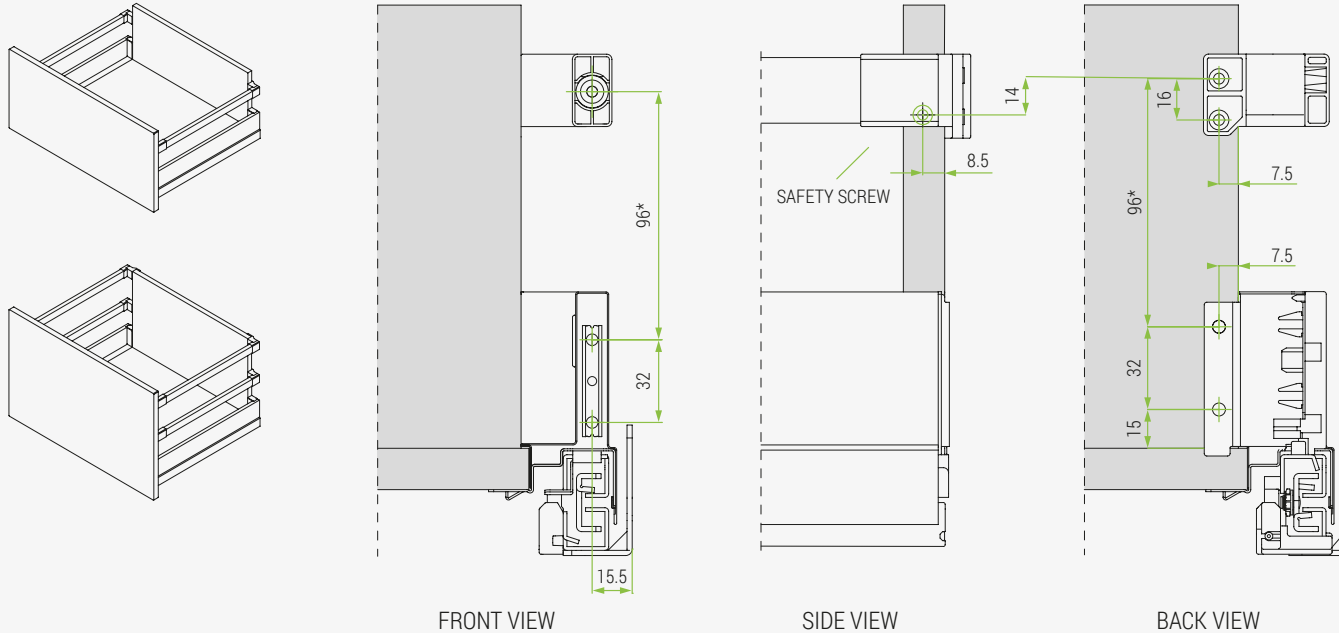
Screw-on railing



Railing application with steel back panel and steel back brackets

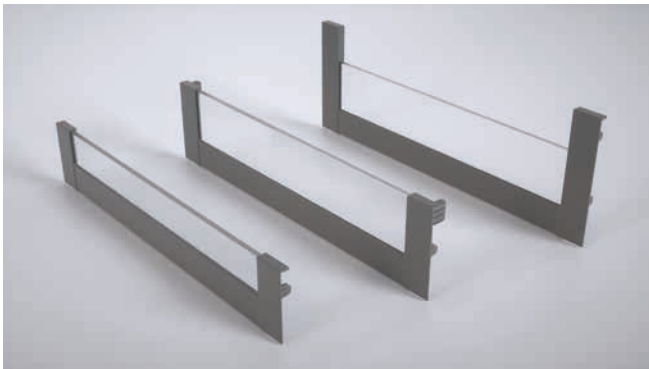
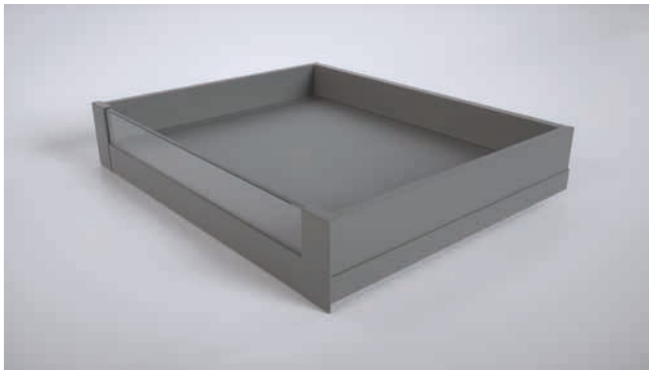


Railing brackets application with wooden back panel



\*RECOMMENDED POSITION

## Ten<sup>2</sup> IN internal drawer - crystal front



### Technical Specifications:

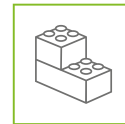
- Kit for 4-sided internal drawer for elegant and practical function
- Plastic frontal brackets with improved fixing system to ensure a stronger coupling and a perfect match with lateral panels
- Brackets available in 3 heights: 90, 120 and 180 mm
- Crystal front system consisting of crystal profile to be cut on size of the drawer width and to be used with lower aluminium profile and frontal bracket adapters
- No need for edge banding on the front of the drawer bottom
- Standard clip-on function for ease of assembly
- Four standard metal finishes matching perfectly the drawer finish: Coffee Black, Storm Grey, standard Grey and Polar White
- High-end look thanks to elegant materials and perfect finishing



SLOWMOTION



ONETOUCH



EASY ASSEMBLY



PERFECT INDUSTRIALISATION

### IN drawer H90

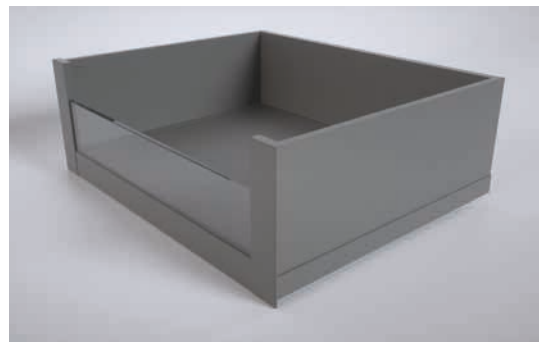
Code	Description	Packing
58.AY4A.**.V000.000	Set of plastic frontal brackets for internal drawer H90	50 sets
58.PY4A.0C.1093.000	Crystal front profile - 1093 mm to be cut on size	5 pcs
Clear crystal front profile, 8 mm thickness.		
58.PY4V.**.1082.000	Aluminium lower frontal profile – 1082 mm to be cut on size for crystal profile	10 pcs
** colour codes: N2 = Coffee Black / S8 = Storm Grey / A6 = standard Grey / F1 = Polar White.		

### IN drawer H120

Code	Description	Packing
58.AY4B.**.V000.000	Set of plastic frontal brackets for internal drawer H120	50 sets
58.PY40.0C.1093.000	Crystal front profile - 1093 mm to be cut on size	5 pcs
Clear crystal front profile, 8 mm thickness.		
58.PY4V.**.1082.000	Aluminium lower frontal profile – 1082 mm to be cut on size for crystal profile	10 pcs
** colour codes: N2 = Coffee Black / S8 = Storm Grey / A6 = standard Grey / F1 = Polar White		

### IN drawer H180

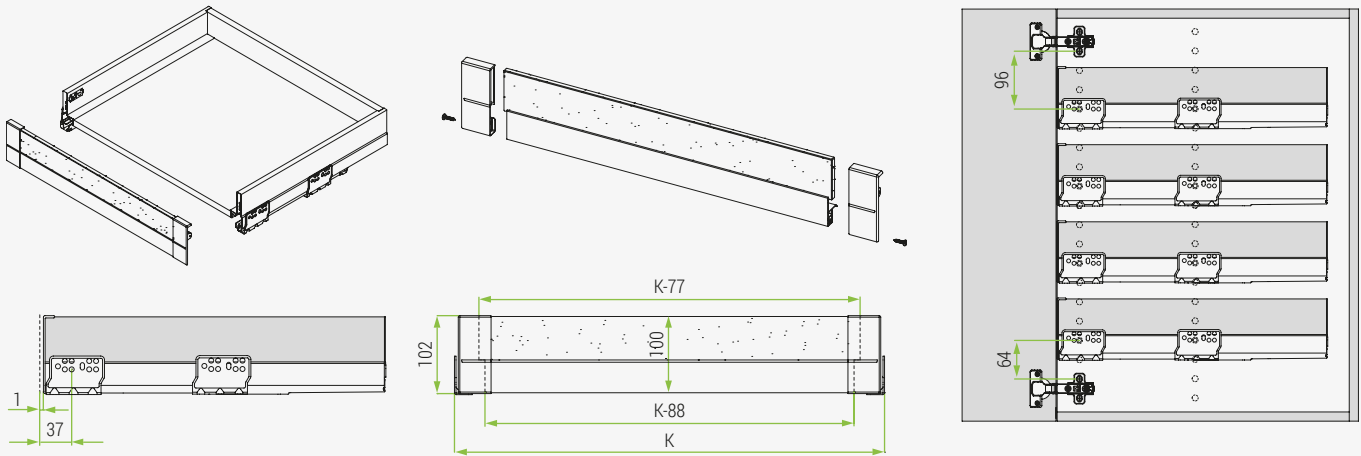
Code	Description	Packing
58.AY4S.**.V000.000	Set of plastic frontal brackets for internal drawer H180	50 sets
58.PY40.0C.1093.000	Crystal front profile - 1093 mm to be cut on size	5 pcs
Clear crystal front profile, 8 mm thickness.		
58.PY4V.**.1082.000	Aluminium lower frontal profile – 1082 mm to be cut on size for crystal profile	10 pcs
** colour codes: N2 = Coffee Black / S8 = Storm Grey / A6 = standard Grey / F1 = Polar White		



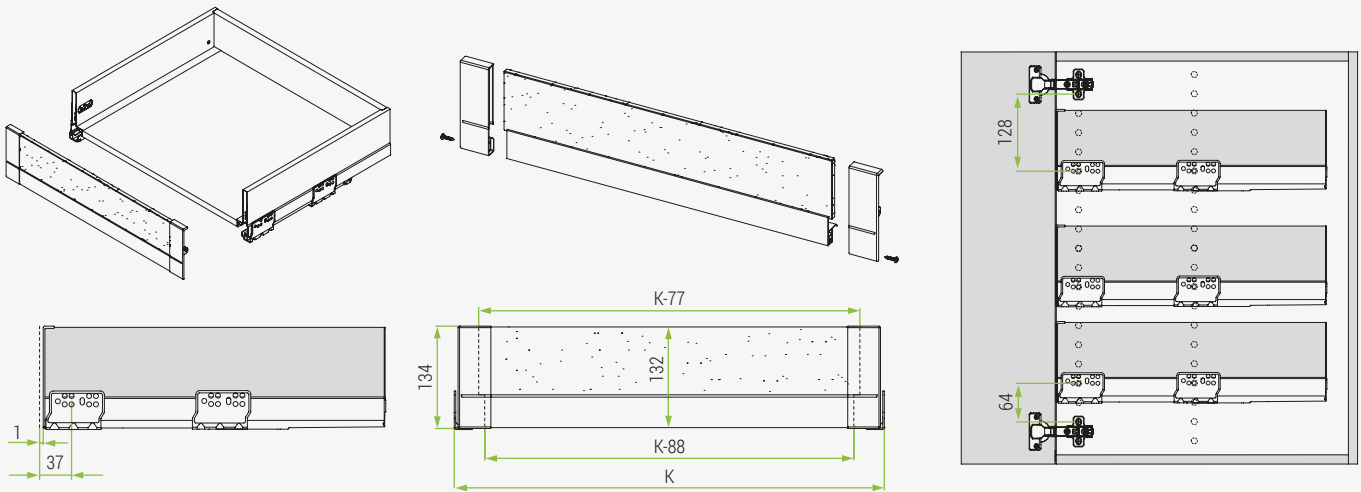
Solution with crystal front

Drilling & front dimensions

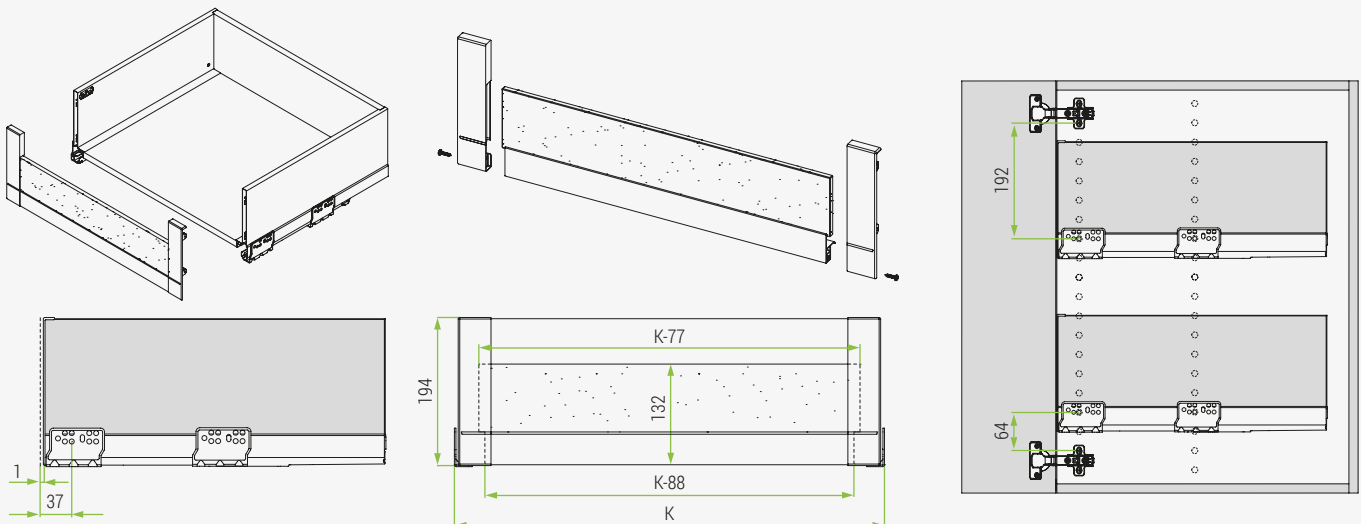
Drawer H90



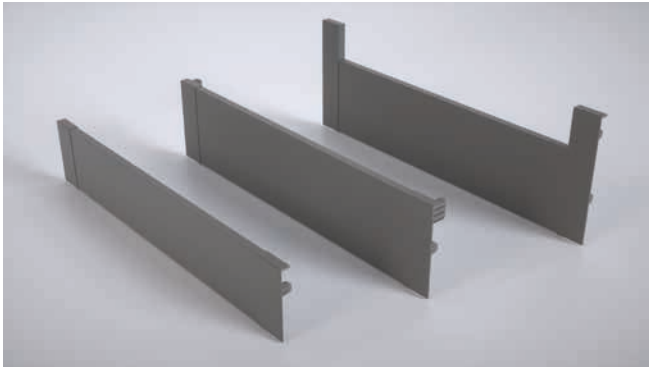
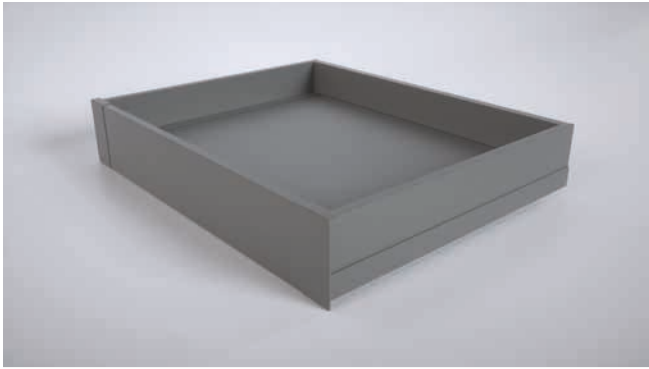
Drawer H120



Drawer H180



## Ten<sup>2</sup> IN internal drawer - aluminium front



### Technical Specifications:

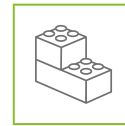
- Kit for 4-sided internal drawer for elegant and practical function
- Plastic frontal brackets with improved fixing system to ensure a stronger coupling and a perfect match with lateral panels
- Brackets available in 3 heights: 90, 120 and 180 mm
- Aluminium front with elegant shape to be cut on size of the drawer width and to be used with frontal brackets
- No need for edge banding on the front of the drawer bottom
- Standard clip-on function for ease of assembly
- Four standard metal finishes matching perfectly the drawer finish: Coffee Black, Storm Grey, standard Grey and Polar White
- High-end look thanks to elegant materials and perfect finishing



SLOWMOTION



ONETOUCH



EASY ASSEMBLY



PERFECT INDUSTRIALISATION

### IN drawer H90

Code	Description	Packing
58.AY4A.**.0000.000	Set of plastic frontal brackets for internal drawer H90	50 sets
58.PY4A.**.1082.000	Aluminium front panel – 1082 mm to be cut on size	10 pcs

\*\* colour codes: N2 = Coffee Black / S8 = Storm Grey / A6 = standard Grey / F1 = Polar White

### IN drawer H120

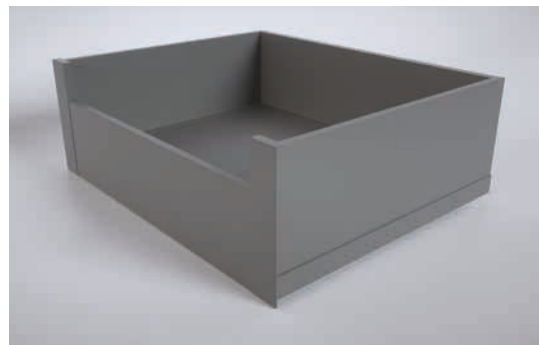
Code	Description	Packing
58.AY4B.**.0000.000	Set of plastic frontal brackets for internal drawer H120	50 sets
58.PY40.**.1082.000	Aluminium front panel – 1082 mm to be cut on size	10 pcs

\*\* colour codes: N2 = Coffee Black / S8 = Storm Grey / A6 = standard Grey / F1 = Polar White.

### IN drawer H180

Code	Description	Packing
58.AY4S.**.0000.000	Set of plastic frontal brackets for internal drawer H180	50 sets
58.PY40.**.1082.000	Aluminium front panel – 1082 mm to be cut on size	10 pcs

\*\* colour codes: N2 = Coffee Black / S8 = Storm Grey / A6 = standard Grey / F1 = Polar White

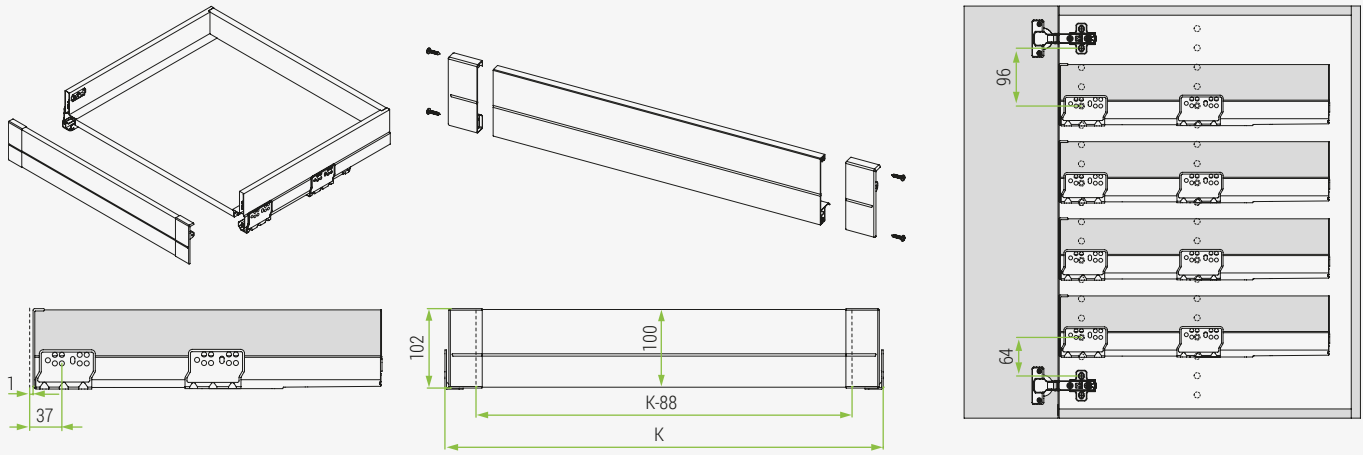


Solution with aluminium front

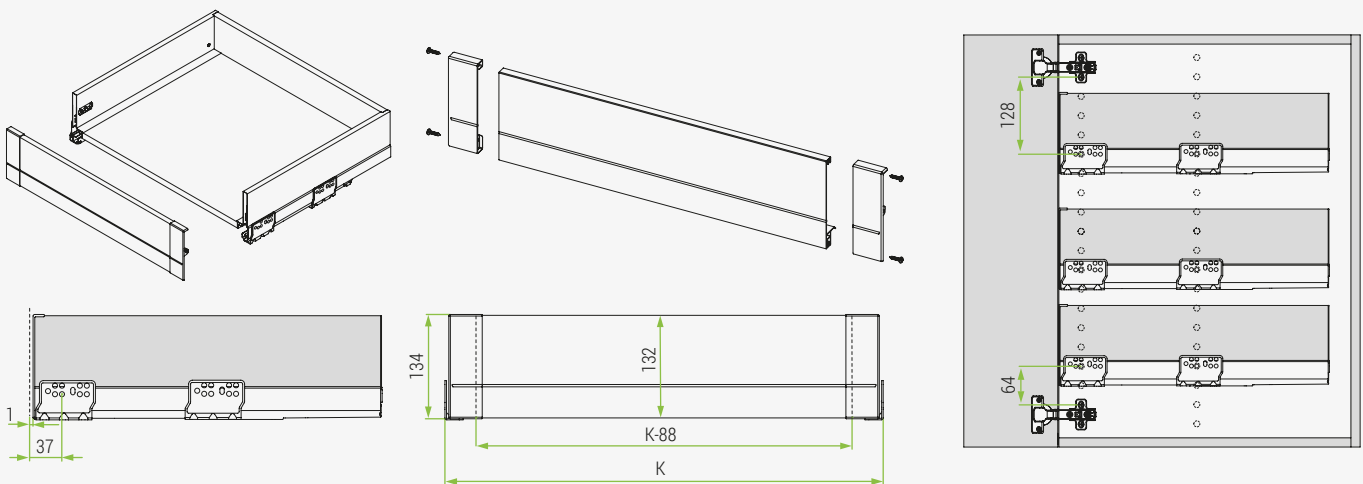


Drilling & front dimensions

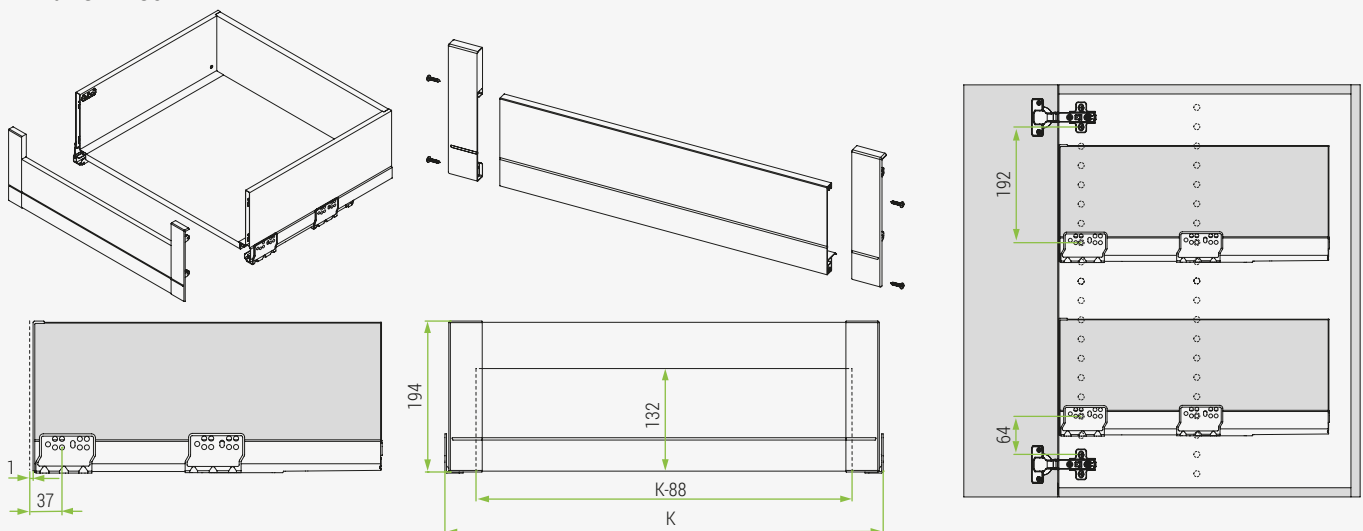
Drawer H90



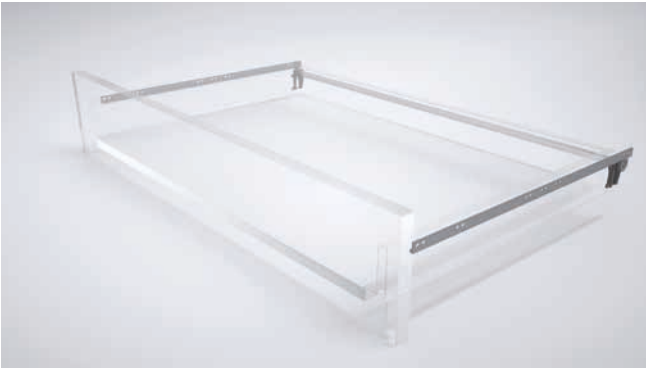
Drawer H120



Drawer H180



## Ten<sup>2</sup> Stabilizer kit



### Technical Specifications:

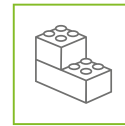
- Ten<sup>2</sup> Stabilizer kit for a perfect stability of the complete range of drawer widths also in a full load capacity condition
- Ideal for wide drawer applications
- Recommended for drawers and pan drawers over 900 mm of width
- Excellent drawer sliding motion
- Smooth movement and silent sliding of the drawer
- Discrete design for a non-invasive solution



SLOWMOTION



ONETOUCH



EASY ASSEMBLY



PERFECT INDUSTRIALISATION

Code	Description	Packing
58.CYA0.06.0000000	Stabilizer kit for drawer	50 kits
Kit consisting of: 2 racks, 2 pinions, 2 back brackets, 6 selftapping screws (Ø4x12 mm). The racks are pre-cut based on 450/500/550 mm drawer depths.		
58.CXT0.0A.120.0000	Stabilizer connecting bar - 1200 mm to be cut on size	50 pcs
** colour codes: N2 = Coffee Black / S8 = Storm Grey / A6 = standard Grey / F1 = Polar White.		

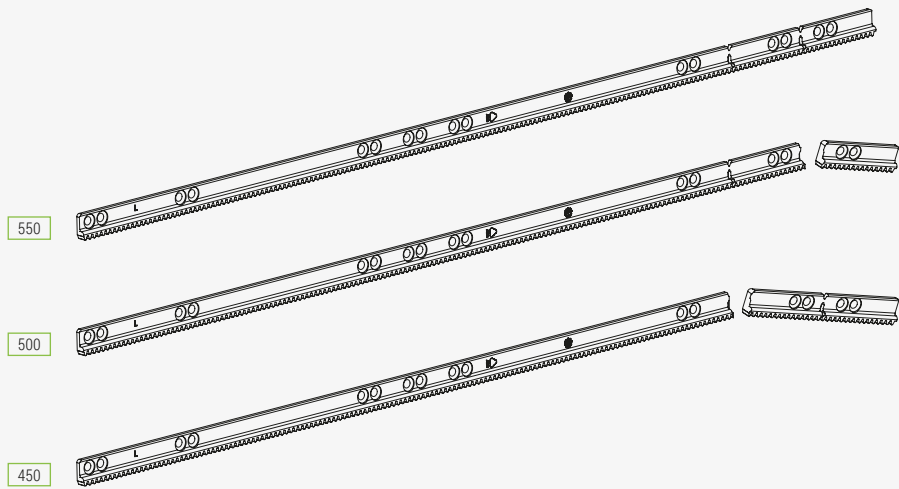


Stabilizer application

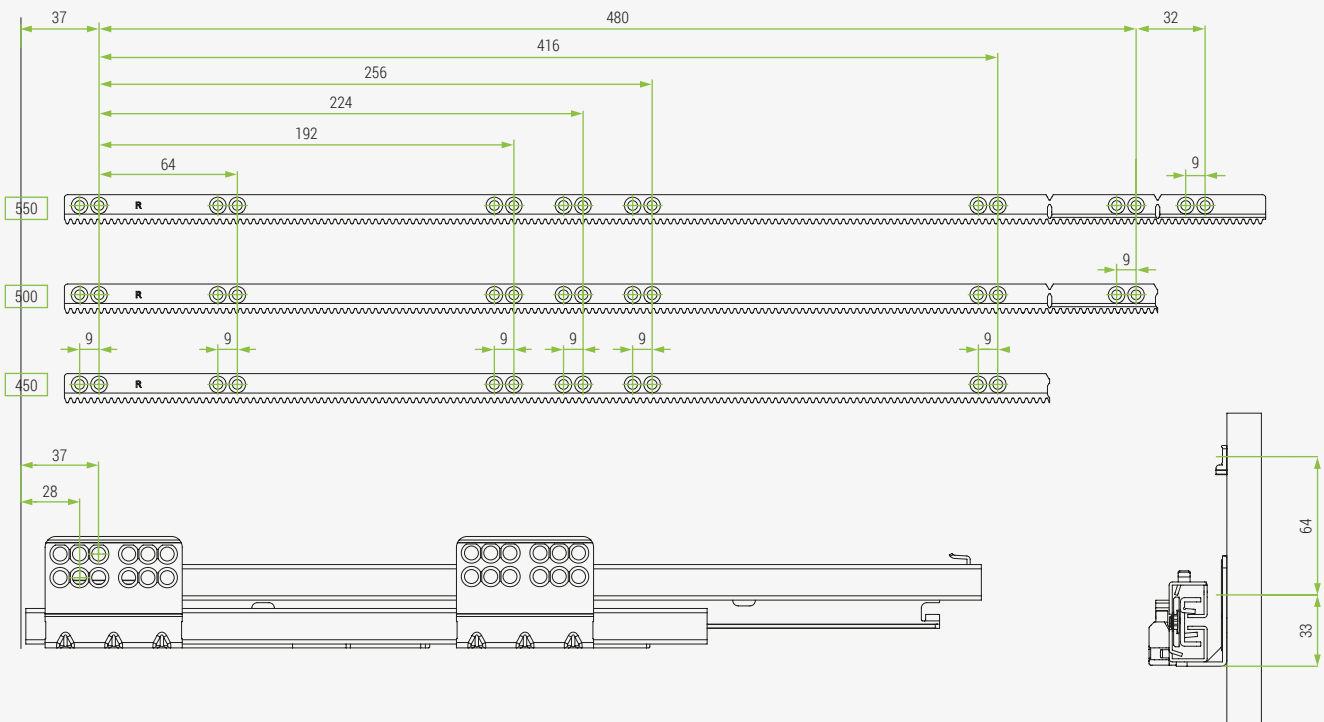


Stabilizer connecting bar

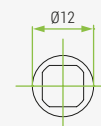
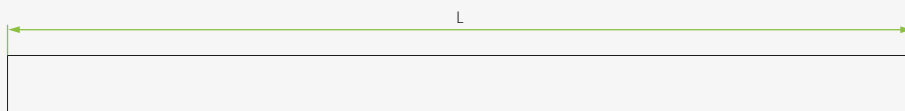
Fixing dimensions & positions



RIGHT SIDE

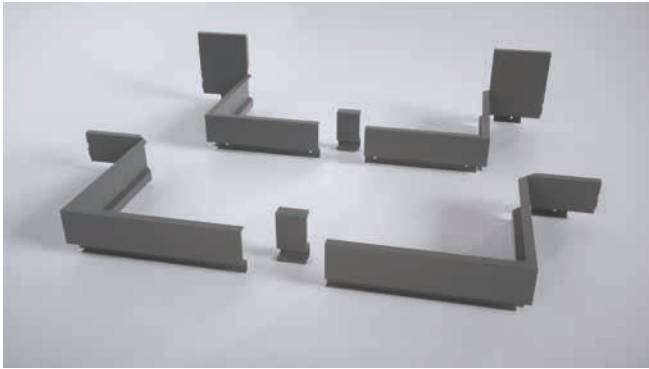
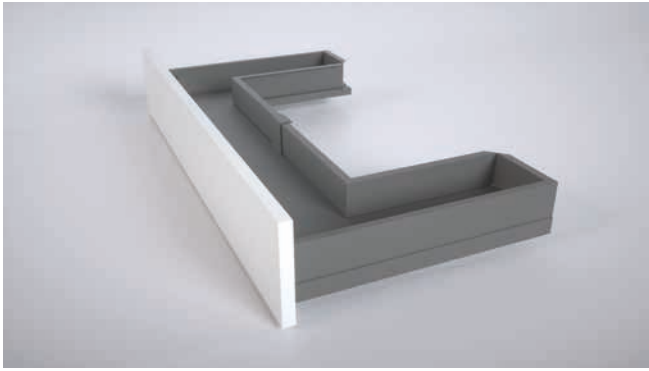


Stabilizer connecting bar



Drawer width	L
600	515
800	715
900	815
1000	915
1200	1115

## Ten<sup>2</sup> Acquario undersink solution



### Technical Specifications:

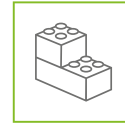
- Acquario undersink drawer solution for perfect space management around the siphon
- Kit made by two steel foldable back panels with a central connector
- Available in H90 and H180 mm drawer height
- Application from 450 to 550 mm deep drawers
- Efficient space management under the sink and around the siphon
- Easy to assemble and to adapt to the available space
- Four metal finishes: Coffee Black, Storm Grey, standard Grey and Polar White



SLOWMOTION



ONETOUCH



EASY ASSEMBLY



PERFECT INDUSTRIALISATION

Code	Description	Packing
58.PYLA.**.^^.U0000	Set Acquario undersink for H90 drawer	10 sets
58.PYLS.**.^^.U0000	Set Acquario undersink for H180 drawer	10 sets

\*\* colour codes: N2 = Coffee Black / S8 = Storm Grey / A6 = standard Grey / F1 = Polar White.  
^^ drawer width: 60/80/90/10/12 (example 60 stands for 600 mm drawer width).

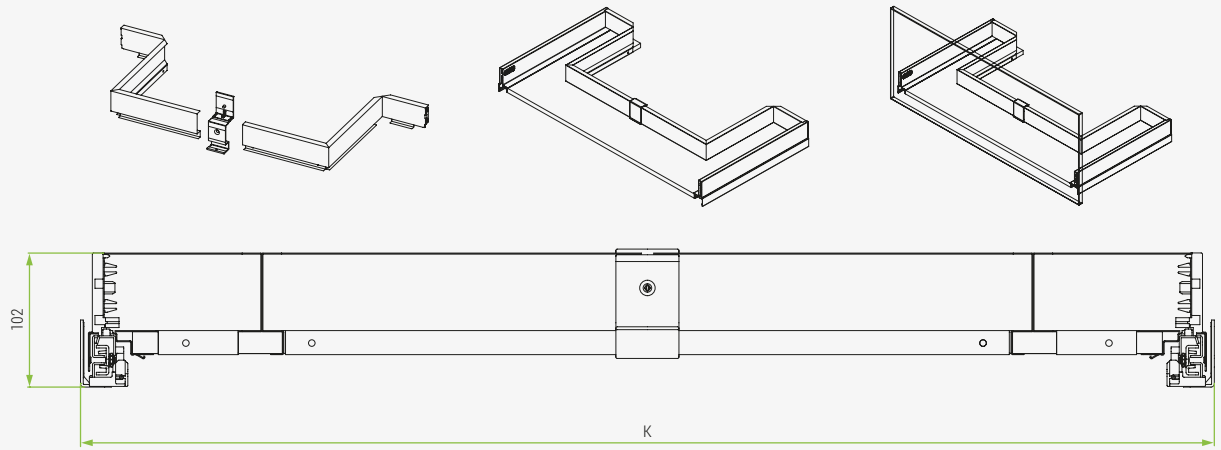
Packing in set consisting of:

- 1 metal back panel right side
- 1 metal back panel left side
- 1 plastic central connector
- 1 screw (Ø4x11 mm) for central connector fixing

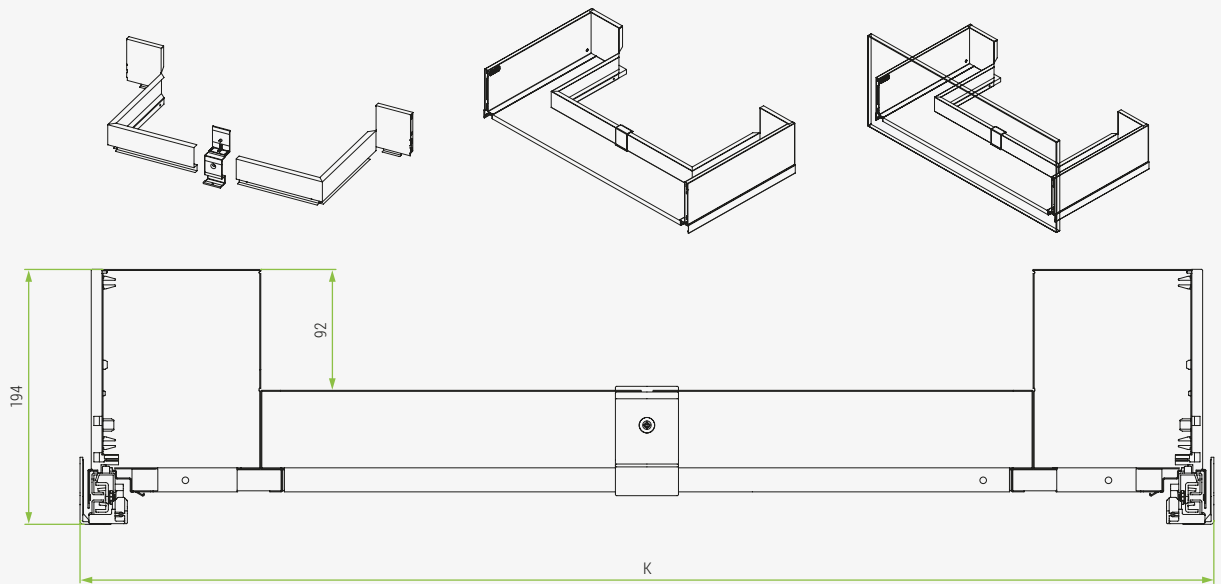


Applications

Drawer H90



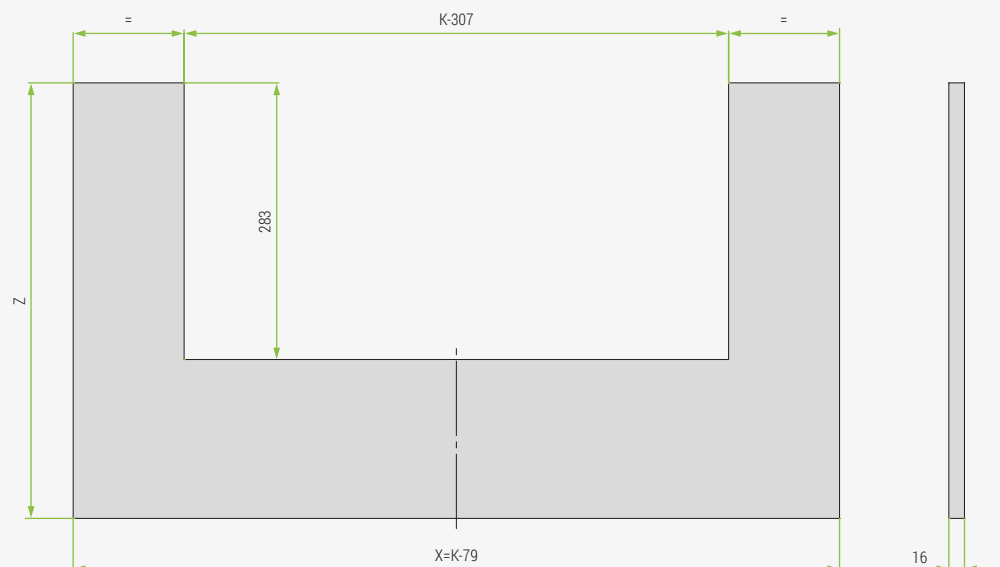
Drawer H180



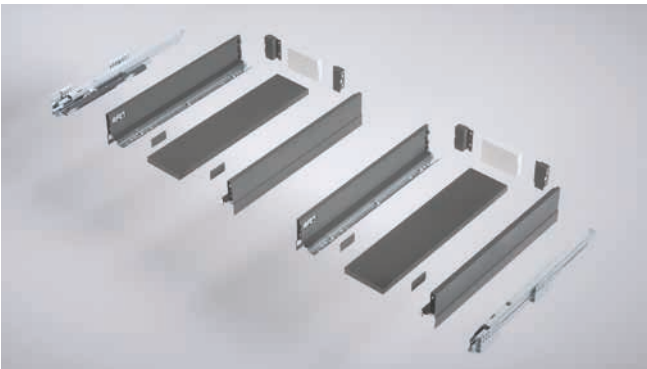
Bottom panel dimensions

<b>K</b>	Internal cabinet width
<b>X</b>	Bottom panel width
<b>Z</b>	Bottom panel length

Drawer depth	Z
450	445.5
500	495.5
550	545.5



## Ten<sup>2</sup> Kit undersink



### Technical Specifications:

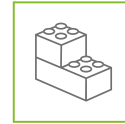
- Ten<sup>2</sup> undersink drawer kit for an easy and versatile application
- Kit consisting of two separate Ten<sup>2</sup> drawers
- Available in H90 drawer height
- Application for 450 mm deep drawers
- Efficient space management under the sink and around the siphon
- Easy to assemble and to adapt to the front and the cabinet dimensions
- Four metal finishes: Coffee Black, Storm Grey, standard Grey and Polar White



SLOWMOTION



ONETOUCH



EASY ASSEMBLY



PERFECT INDUSTRIALISATION

Code	Description	Packing
58.YASV.**.45.XA000	Ten <sup>2</sup> H90 undersink drawer kit 450	1 kit

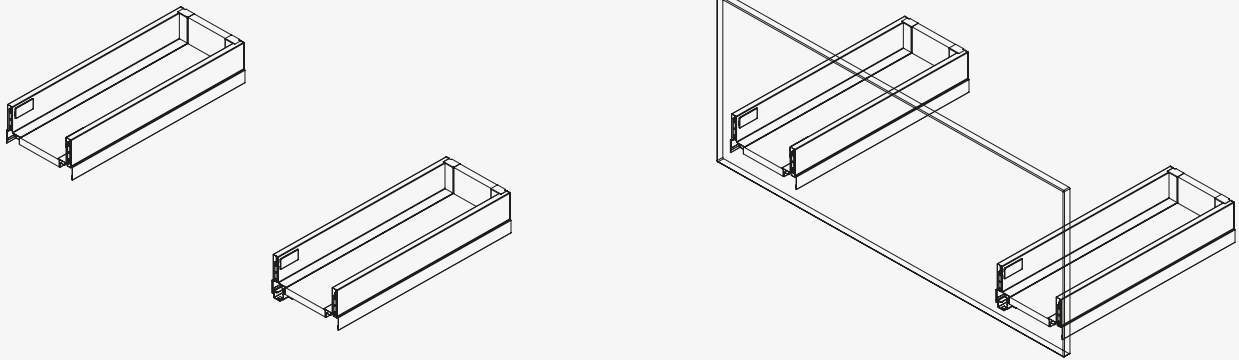
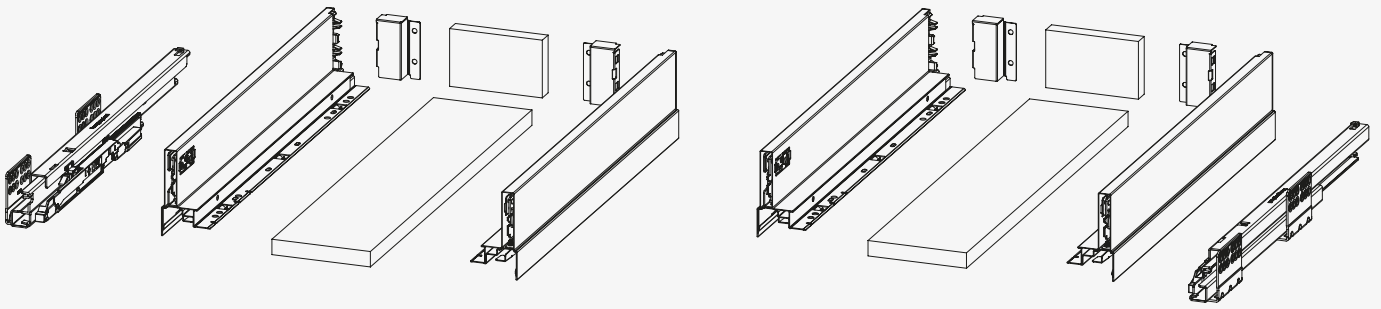
\*\* colour codes: N2 = Coffee Black / S8 = Storm Grey / A6 = standard Grey / F1 = Polar White.

Kit consisting of the following components:

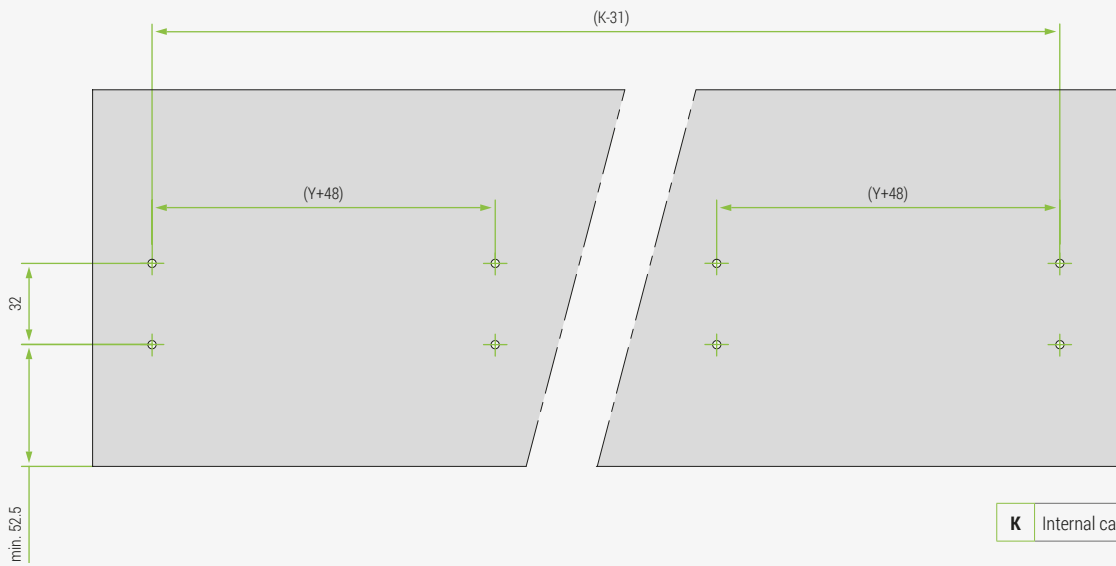
- an assembly instruction
- 2 pairs of left and right drawer sides H90
- a pair of left and right drawer slides 450 mm
- 4 cover caps with FGV logo
- 4 screw-on front brackets
- 2 pairs of back fixing brackets

All individual parts and further components of the system available separately.

See the complete catalogue and the assembly instructions.

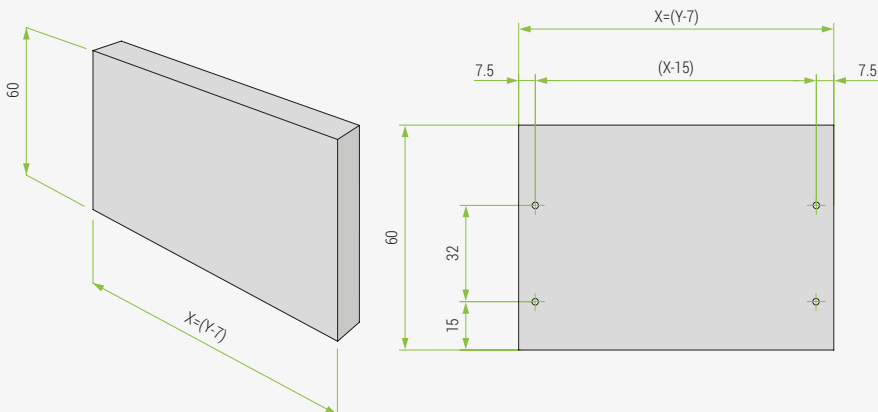


Front panel drilling & dimensions



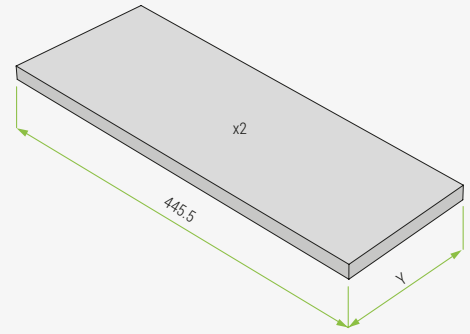
**K** Internal cabinet width

Back panel drilling & dimensions



**X** Back panel width  
**Y** Bottom panel width

Bottom panel dimensions



Standard version	
Y	102.5
Y + 48	150.5
X - 15	80.5

## Ten<sup>2</sup> Standard drawer Kit



Kit consisting of the following components for a given drawer dimension:

- an assembly instruction
- a pair of left and right drawer sides
- a pair of left and right drawer slides
- a pair of cover caps with FGV logo
- a pair of screw-on front brackets
- a pair of back fixing brackets

All individual parts and further components of the system available separately. See the complete catalogue and the assembly instructions.

### Technical Specifications:

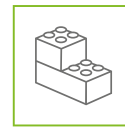
- Ten<sup>2</sup> standard individual kit for ease of distribution and use
- Each kit contains all elements necessary for the realisation of a drawer with exception of the wooden back and bottom panels
- A few kits cover the necessity of almost usual applications
- No necessity to stock individual components in large volumes and remain with unpaired components
- Ease of transport on site of the packed products and hassle free assembly on site
- Easy to sell over the counter



SLOWMOTION



ONETOUCH



EASY ASSEMBLY



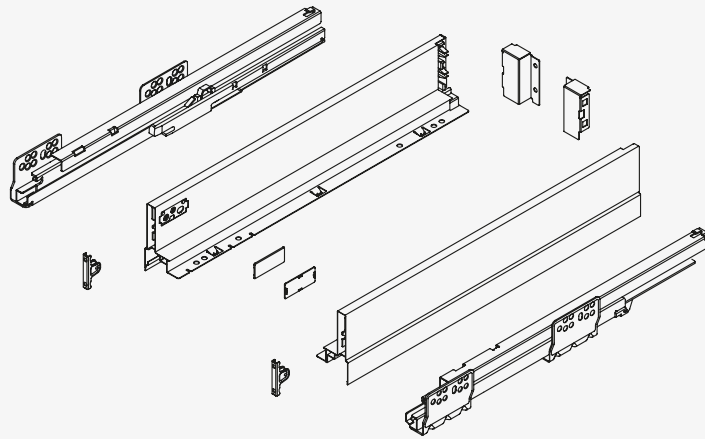
PERFECT INDUSTRIALISATION

Code	Description	Packing
58.YAKV.**.27.XA000	Ten <sup>2</sup> H90 standard drawer kit 275	1 kit
58.YAKV.**.30.XA000	Ten <sup>2</sup> H90 standard drawer kit 300	1 kit
58.YAKV.**.35.X0000	Ten <sup>2</sup> H90 standard drawer kit 350	1 kit
58.YAKV.**.40.XA000	Ten <sup>2</sup> H90 standard drawer kit 400	1 kit
58.YAKV.**.45.XA000	Ten <sup>2</sup> H90 standard drawer kit 450	1 kit
58.YAKV.**.50.XA000	Ten <sup>2</sup> H90 standard drawer kit 500	1 kit
58.YAKV.**.55.XA000	Ten <sup>2</sup> H90 standard drawer kit 550	1 kit
58.YBKV.**.27.XA000	Ten <sup>2</sup> H120 standard drawer kit 275	1 kit
58.YBKV.**.30.XA000	Ten <sup>2</sup> H120 standard drawer kit 300	1 kit
58.YBKV.**.35.XA000	Ten <sup>2</sup> H120 standard drawer kit 350	1 kit
58.YBKV.**.40.XA000	Ten <sup>2</sup> H120 standard drawer kit 400	1 kit
58.YBKV.**.45.XA000	Ten <sup>2</sup> H120 standard drawer kit 450	1 kit
58.YBKV.**.50.XA000	Ten <sup>2</sup> H120 standard drawer kit 500	1 kit
58.YBKV.**.55.XA000	Ten <sup>2</sup> H120 standard drawer kit 550	1 kit
58.YSKV.**.27.XA000	Ten <sup>2</sup> H180 standard drawer kit 275	1 kit
58.YSKV.**.30.XA000	Ten <sup>2</sup> H180 standard drawer kit 300	1 kit
58.YSKV.**.35.XA000	Ten <sup>2</sup> H180 standard drawer kit 350	1 kit
58.YSKV.**.40.XA000	Ten <sup>2</sup> H180 standard drawer kit 400	1 kit
58.YSKV.**.45.XA000	Ten <sup>2</sup> H180 standard drawer kit 450	1 kit
58.YSKV.**.50.XA000	Ten <sup>2</sup> H180 standard drawer kit 500	1 kit
58.YSKV.**.55.XA000	Ten <sup>2</sup> H180 standard drawer kit 550	1 kit

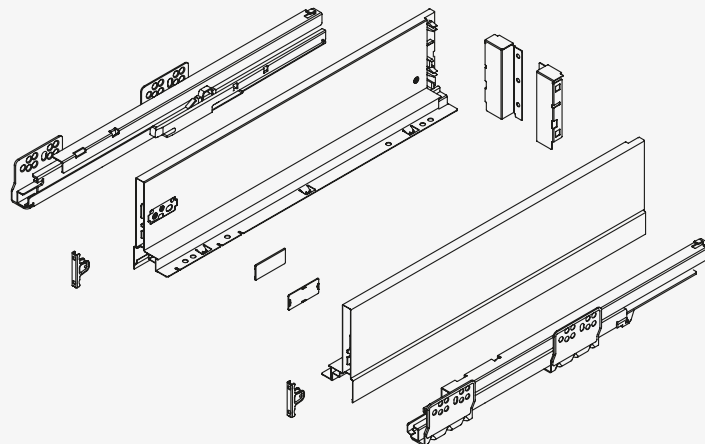
\*\* colour codes: N2 = Coffee Black / S8 = Storm Grey / A6 = standard Grey / F1 = Polar White



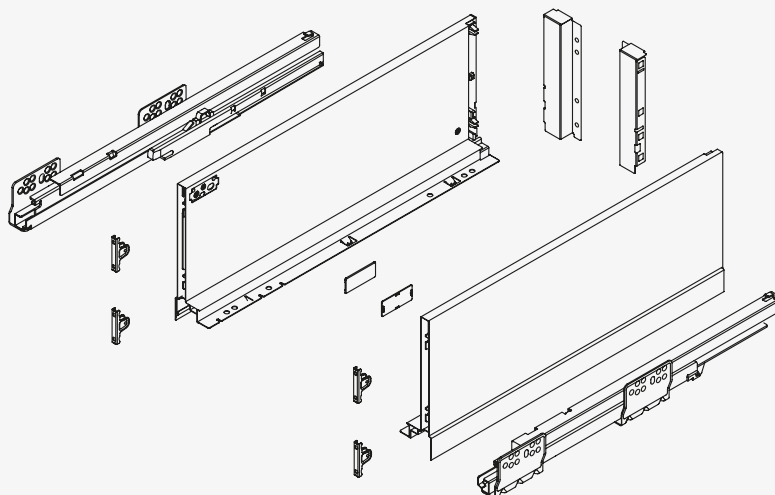
H90

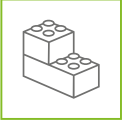


H120



H180

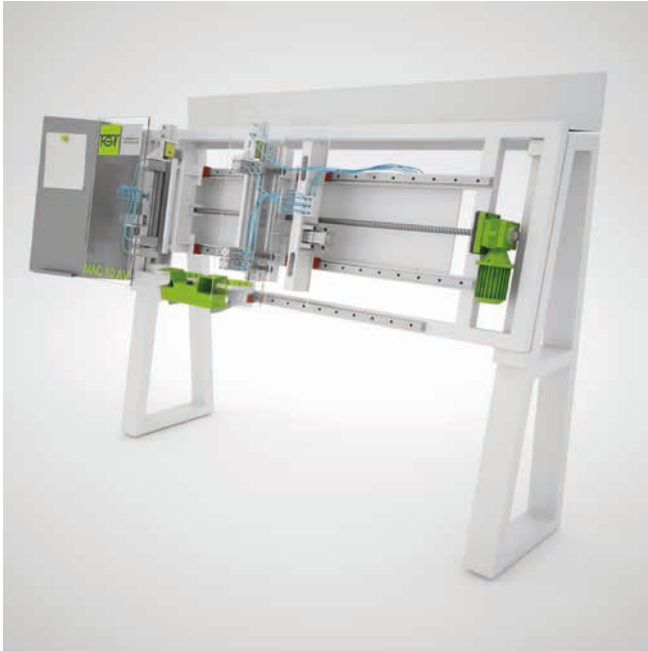




EASY ASSEMBLY



PERFECT INDUSTRIALISATION



MAC 10 AV automatic assembly machine for Ten<sup>2</sup> drawers

### MAC 10 AV fully automatic assembly machine for Ten<sup>2</sup> drawers

- For H90, H120 and H180 Ten<sup>2</sup> drawers
- Quick step adjustment from 275 to 550 mm
- Quick step adjustment of width from 300 to 1200 mm
- Very fast assembly on bottom without groove
- Works with metal back and wooden back panel
- Economical and safe
- Pneumatic operation: the machine assembles sides, back and bottom of the drawer
- To be positioned against the wall or free standing

All new tool-less fixing with ClawFix technology without the need for grooving or with screw fixing

Code	Description	Packing
A9.TMAC.10.A.000000	Mac 10 AV automatic assembly machine for Ten <sup>2</sup> drawers	1 pcs

Please request the separate documentation and the instructions of use of this machine.

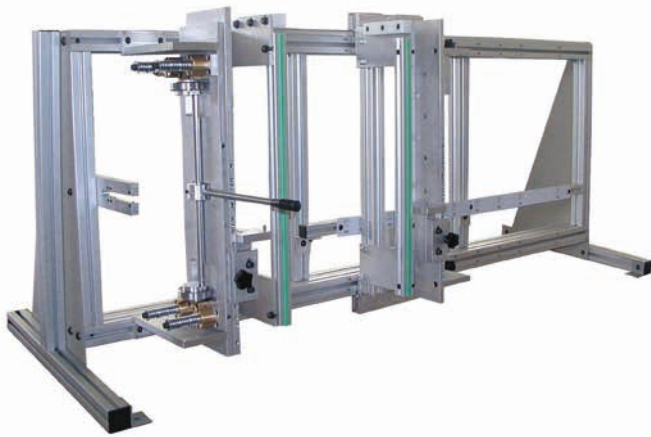


ClawFix



### Drilling jig

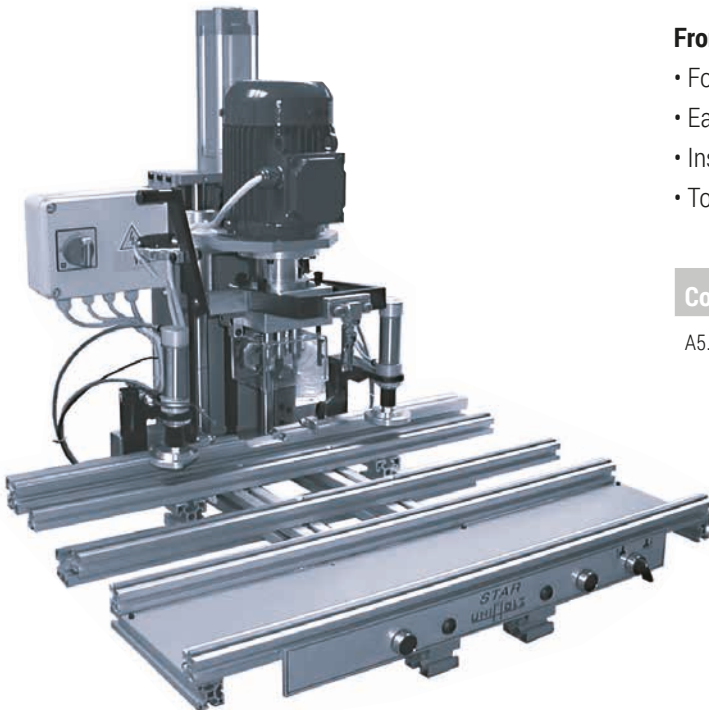
Code	Description	Packing
A0.P200.00.00000	Drilling jig	1 pcs



### MAC 10 MV manual assembly machine for Ten<sup>2</sup> drawers

- For H90, H120 and H180 Ten<sup>2</sup> drawers
- For lengths from 275 to 550 mm
- Adjustment of width from 300 to 1200 mm
- Manual operation: the machine keeps the drawer components in position to be fixed by the operator
- To be positioned on a worktop

Code	Description	Packing
A9.TMAC.10.M.000A00	Mac 10 MV manual assembly machine for drawers	1 pcs



### Front drilling and insertion machine

- For front fix with 10 mm pegs equipped with insertion ram
- Easy positioning of the front with removable stops left and right
- Insertion ram to hold the front fixing
- To be positioned on a worktop

Code	Description	Packing
A5.ODEL.IB.4800000	Drilling and insertion machine	1 pcs

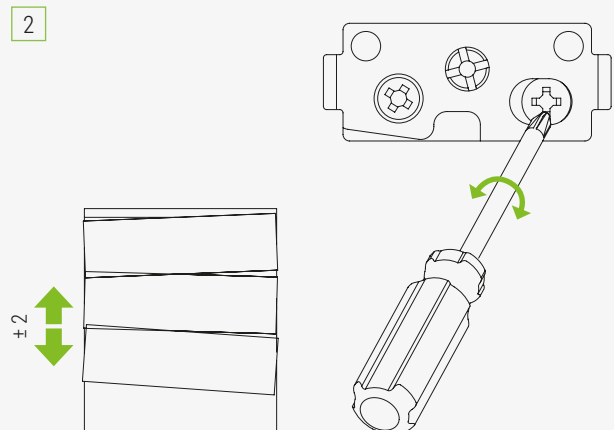
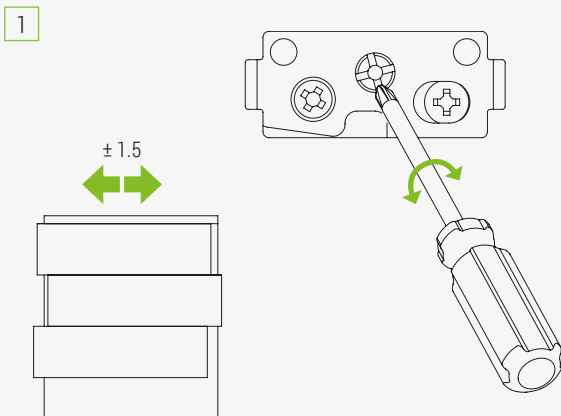
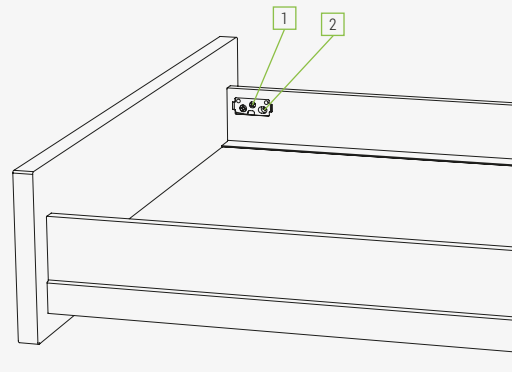
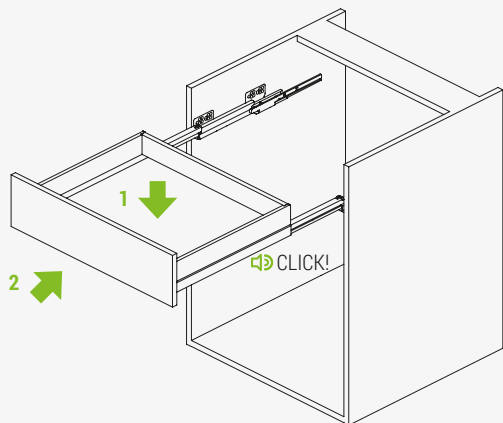
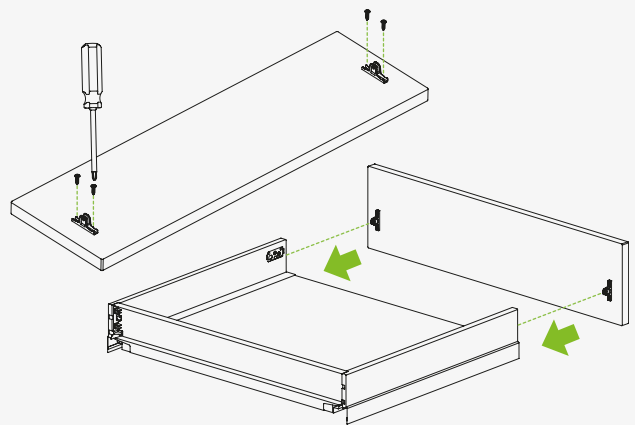
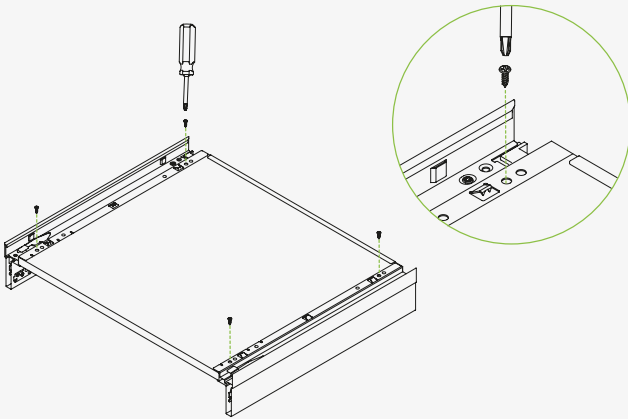
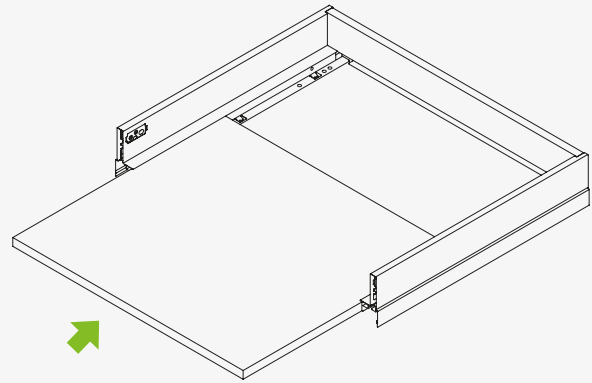
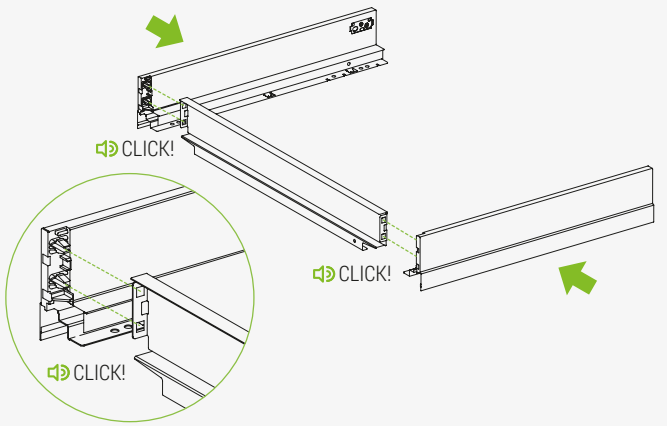


### Ten<sup>2</sup> front fixing tools

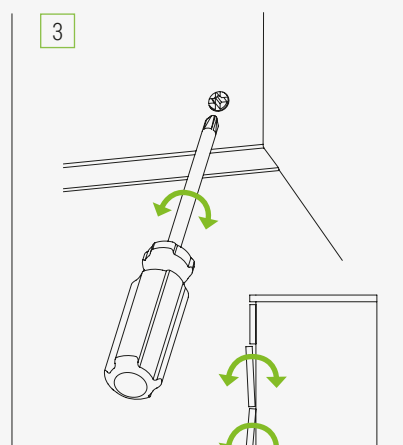
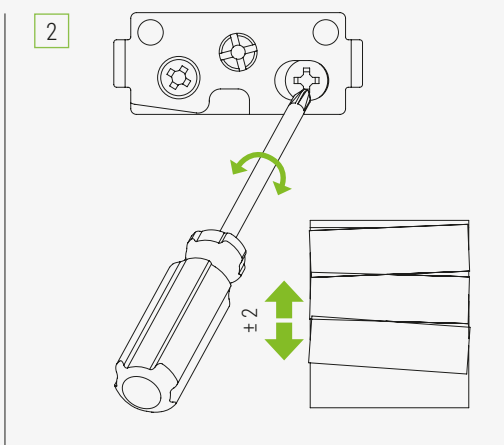
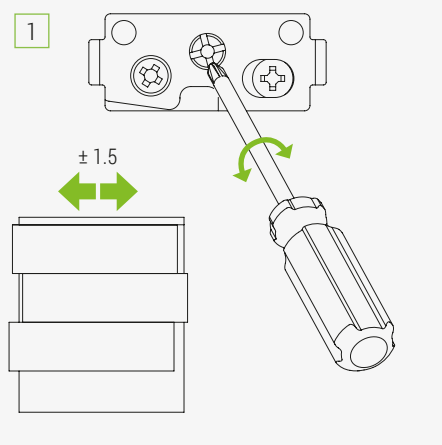
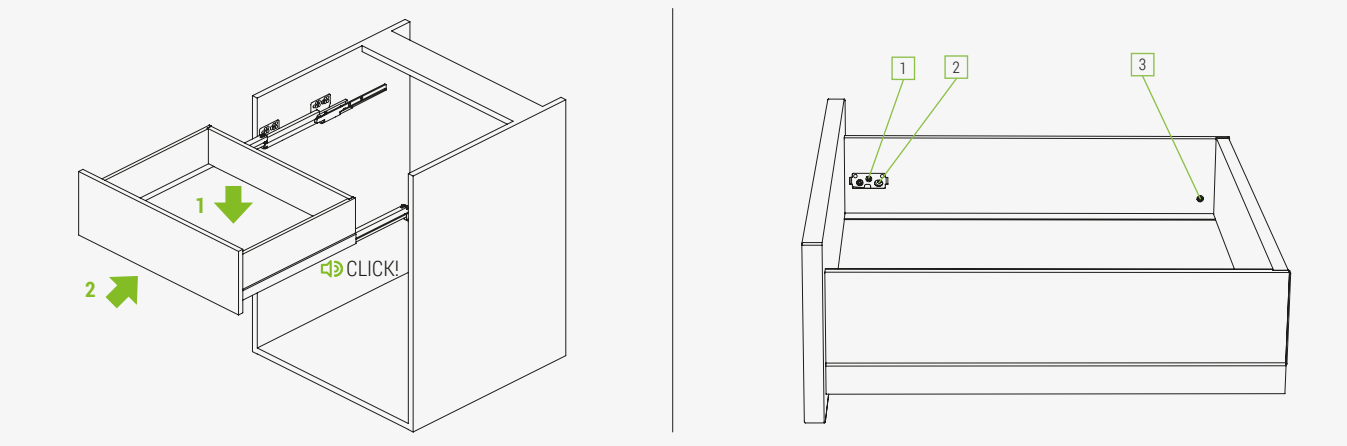
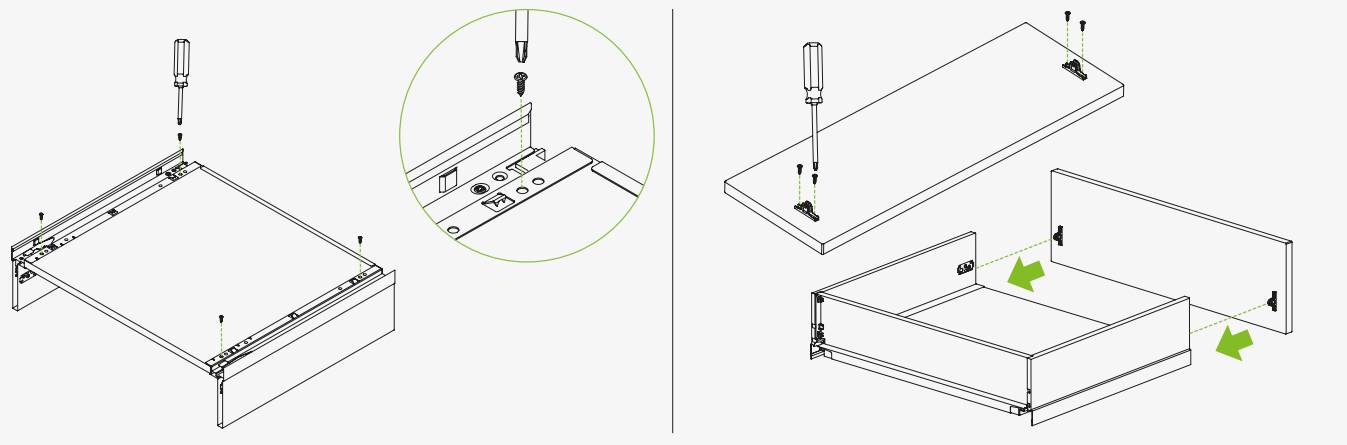
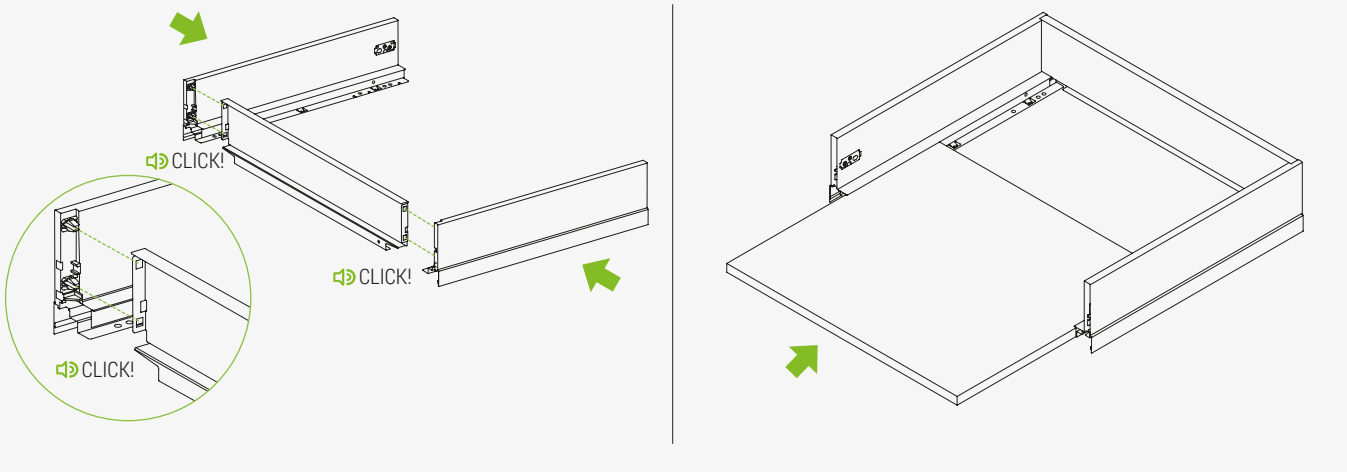
Code	Description	Packing
A0.Y000.00.00.000	Inserting tool for front brackets	25 pcs

# Instructions for use

## Drawer H90 assembly sequence

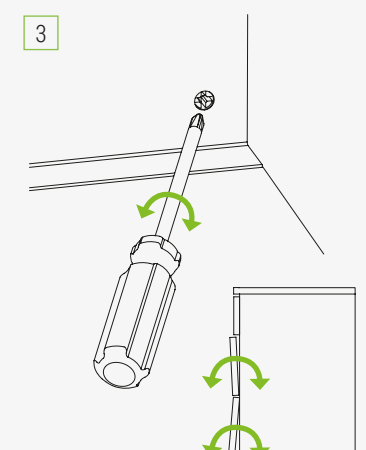
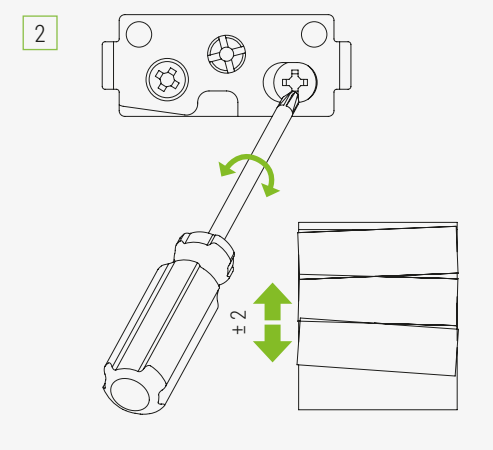
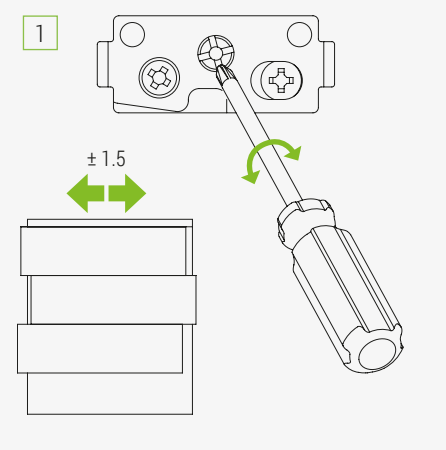
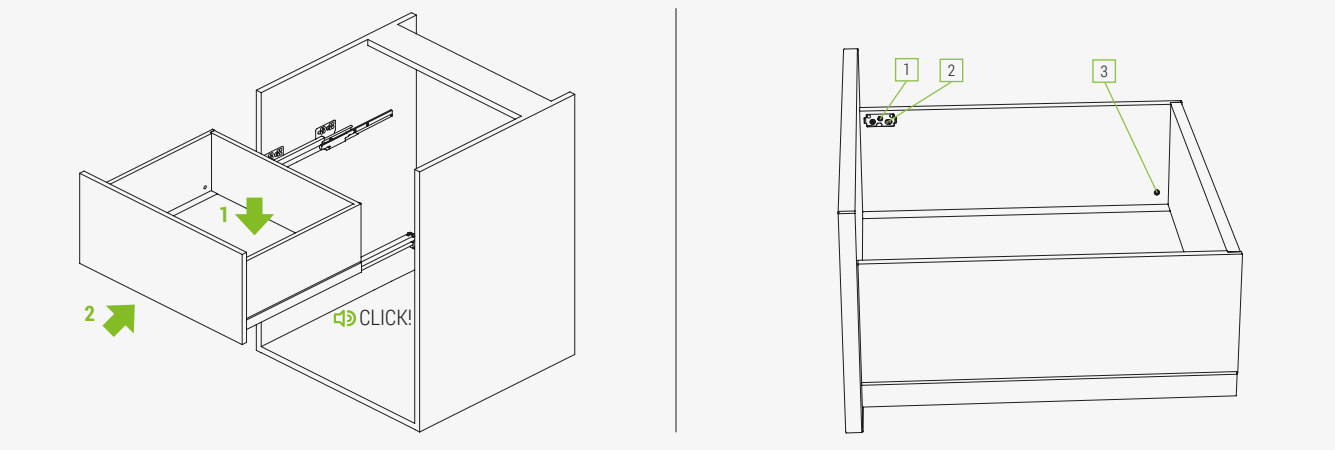
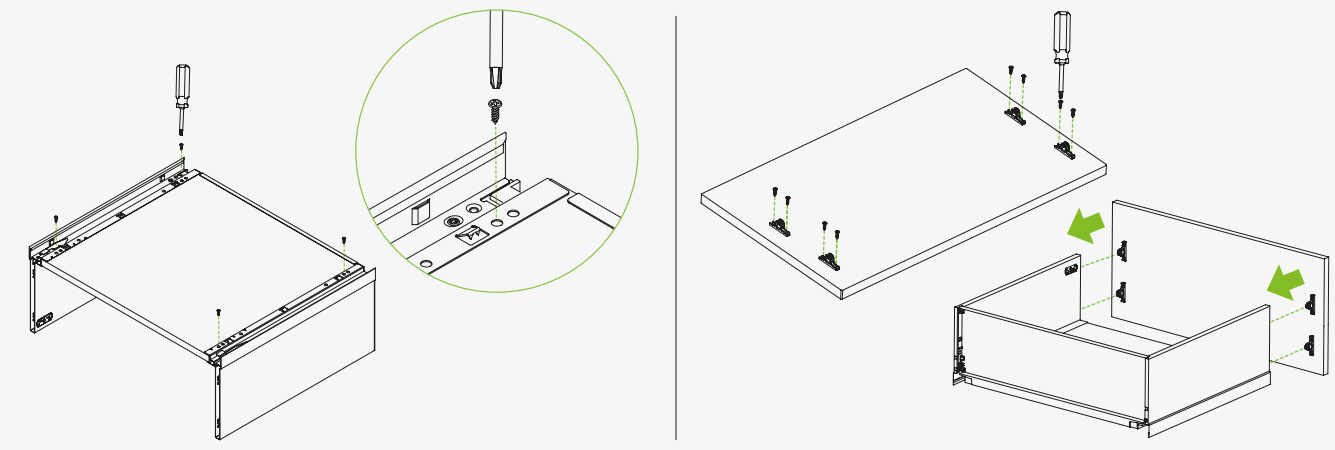
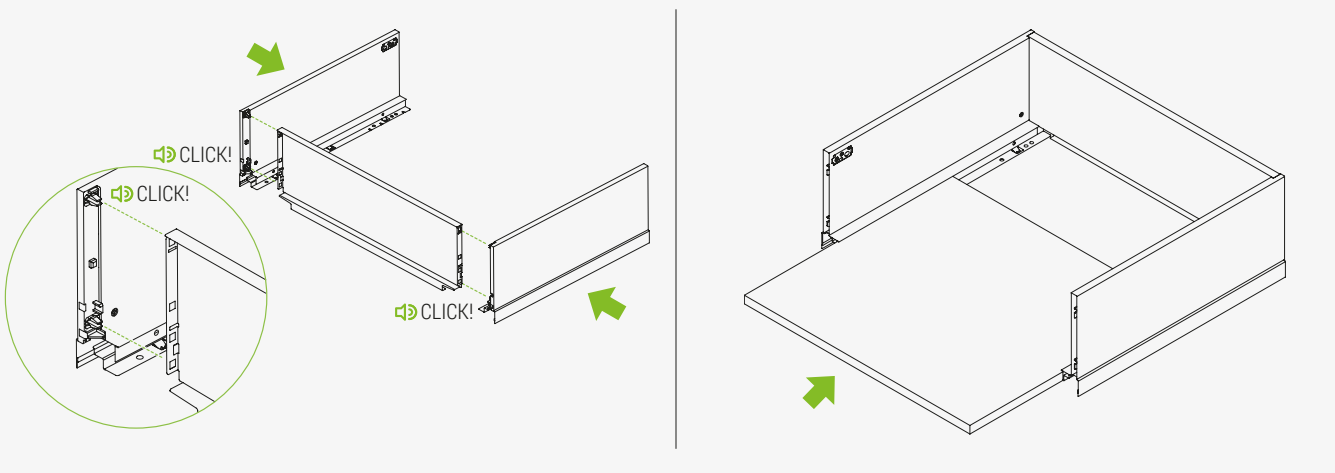


Drawer H120 assembly sequence

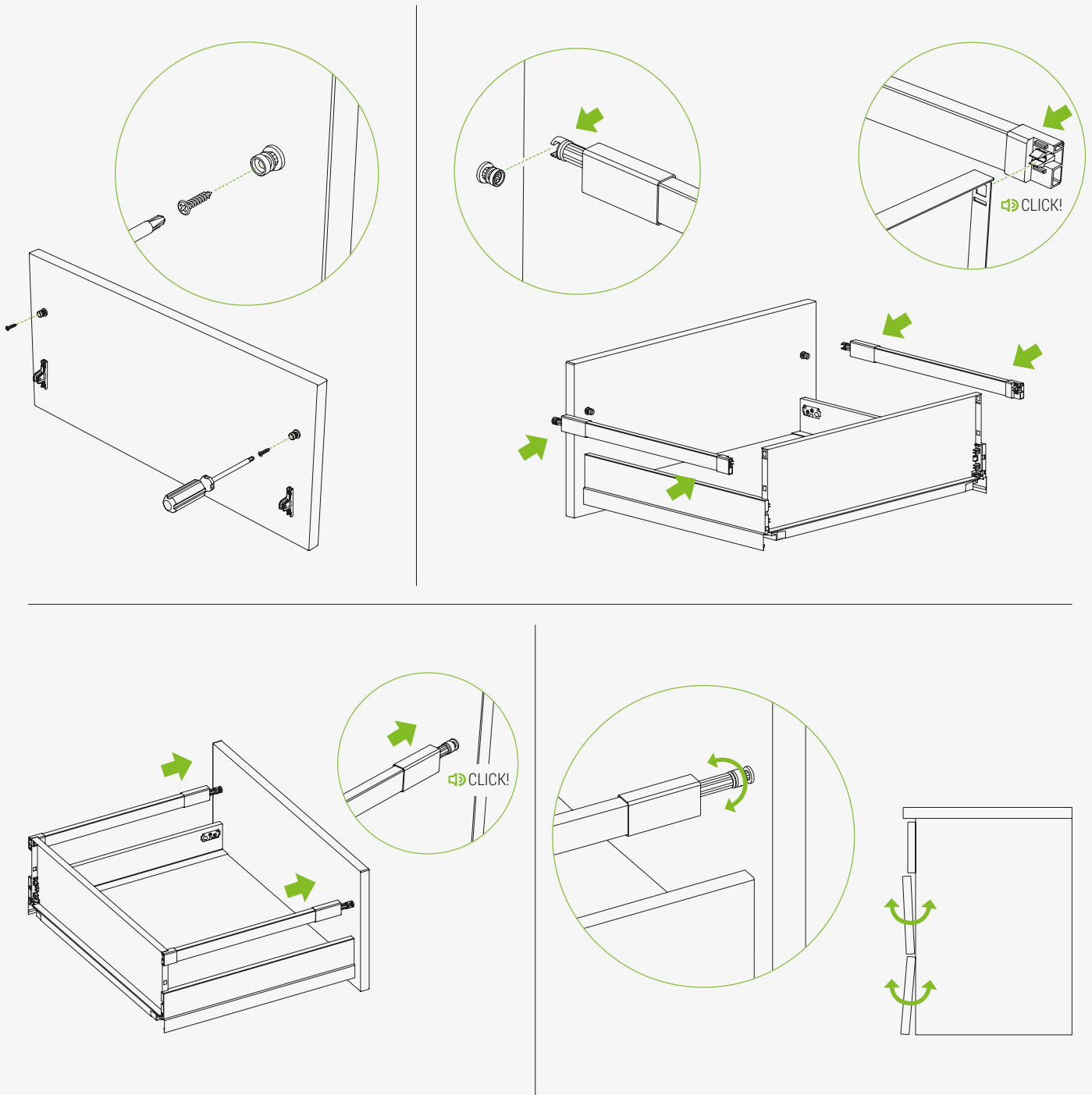


# Instructions for use

## Drawer H180 assembly sequence



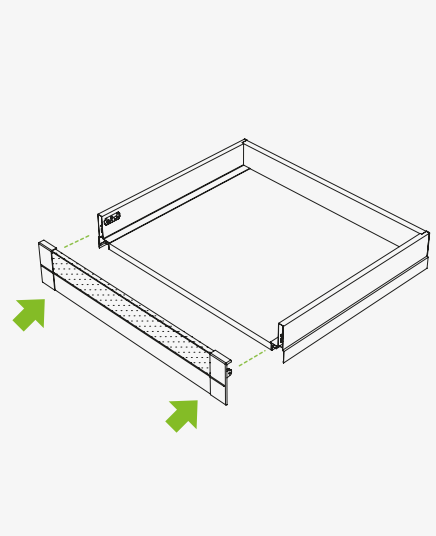
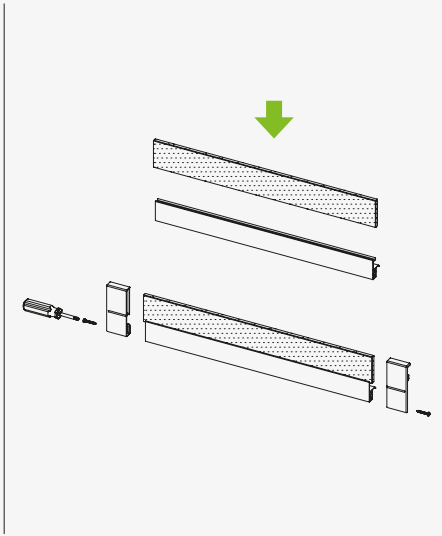
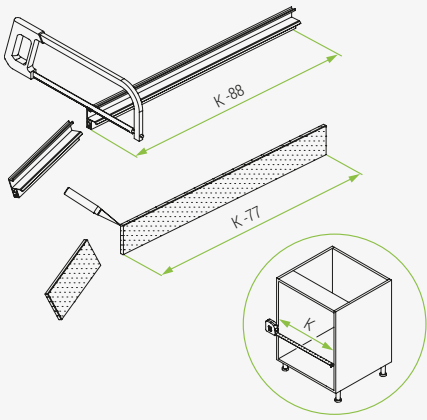
Rectangular railing assembly sequence



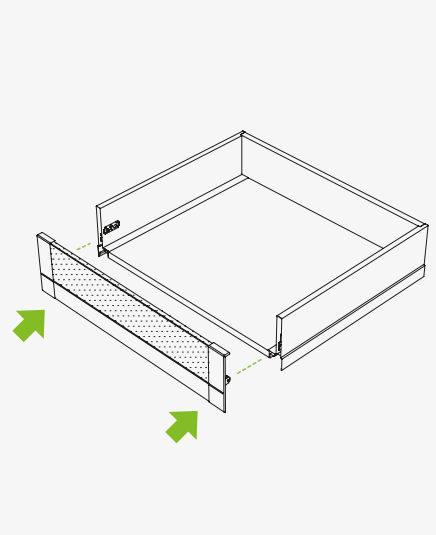
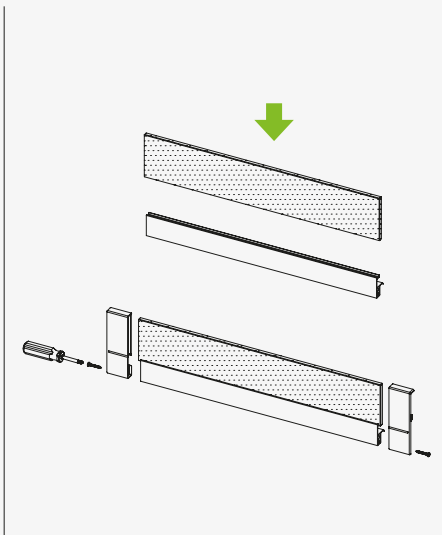
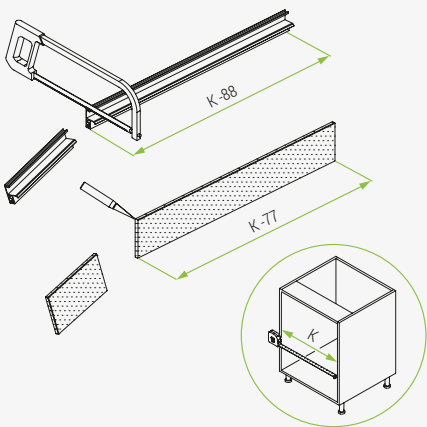
# Instructions for use

## IN internal drawer assembly sequence | Crystal profile

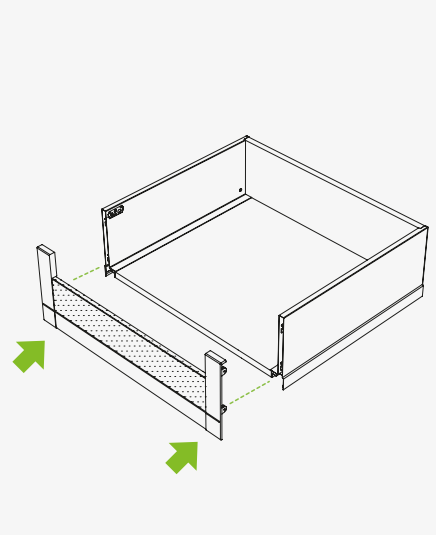
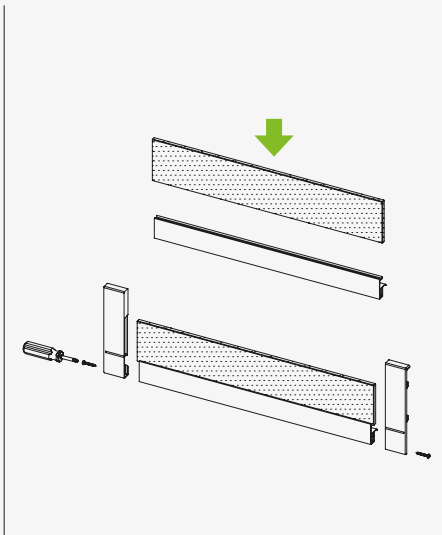
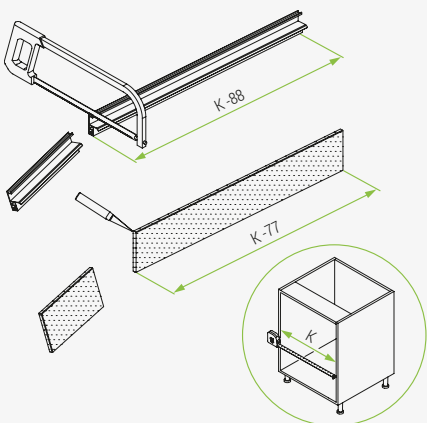
### Drawer H90



### Drawer H120



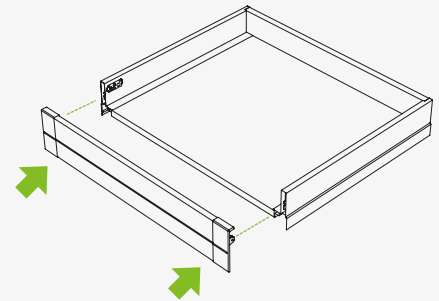
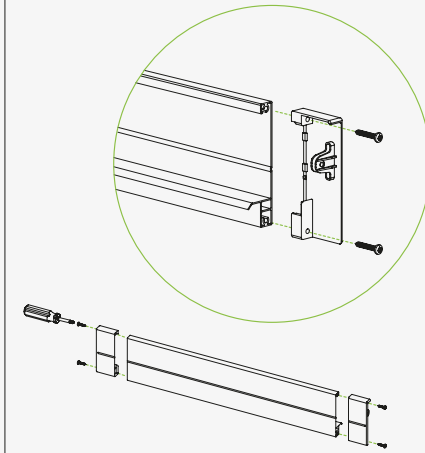
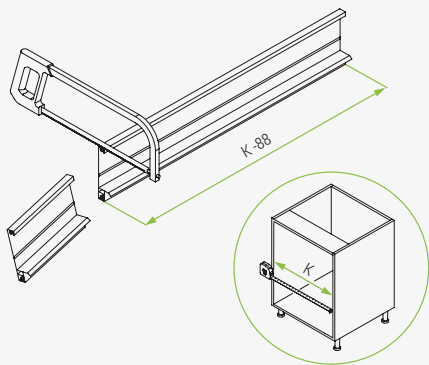
### Drawer H180



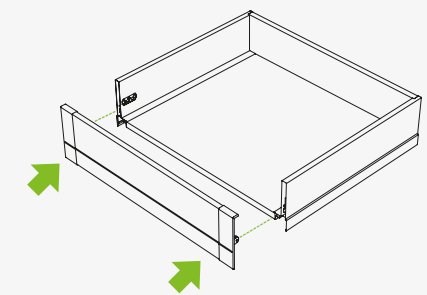
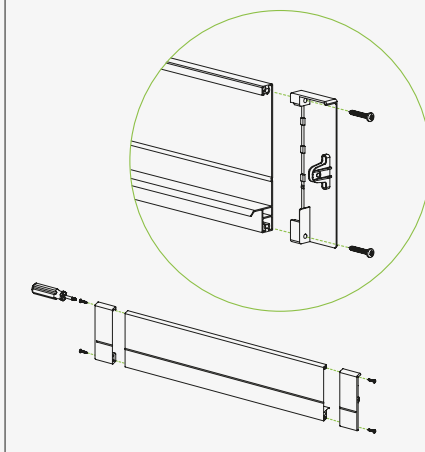
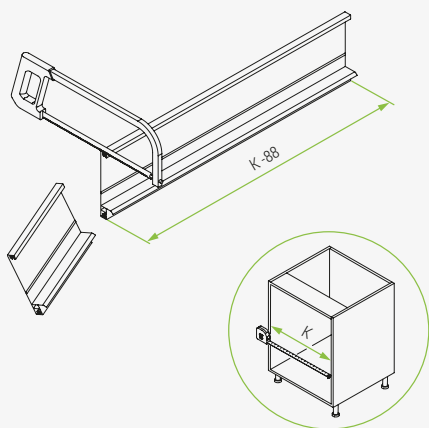


IN internal drawer assembly sequence | Aluminium profile

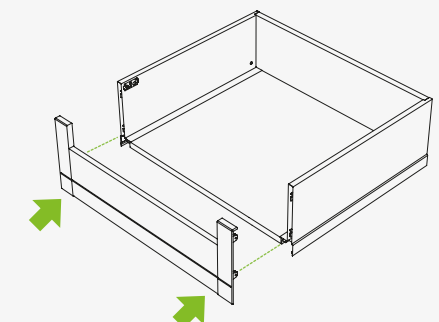
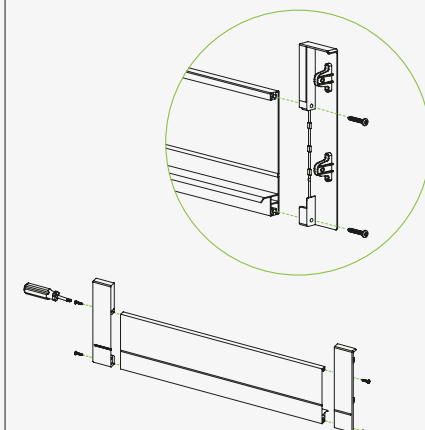
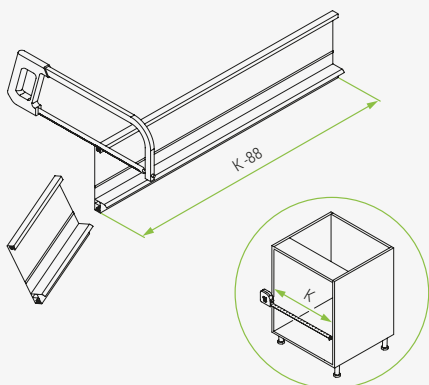
Drawer H90



Drawer H120

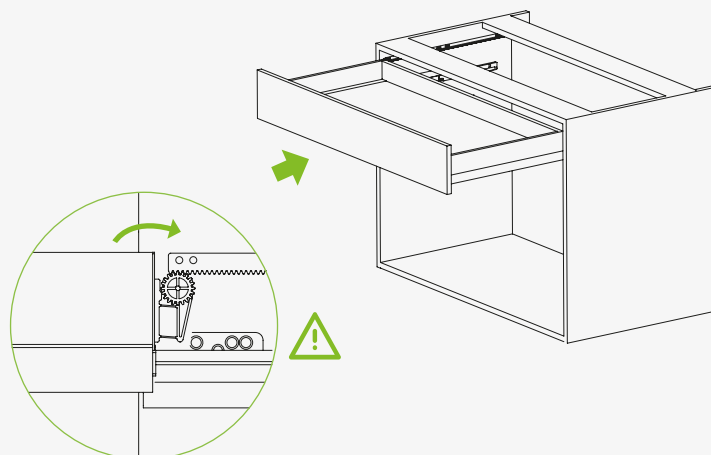
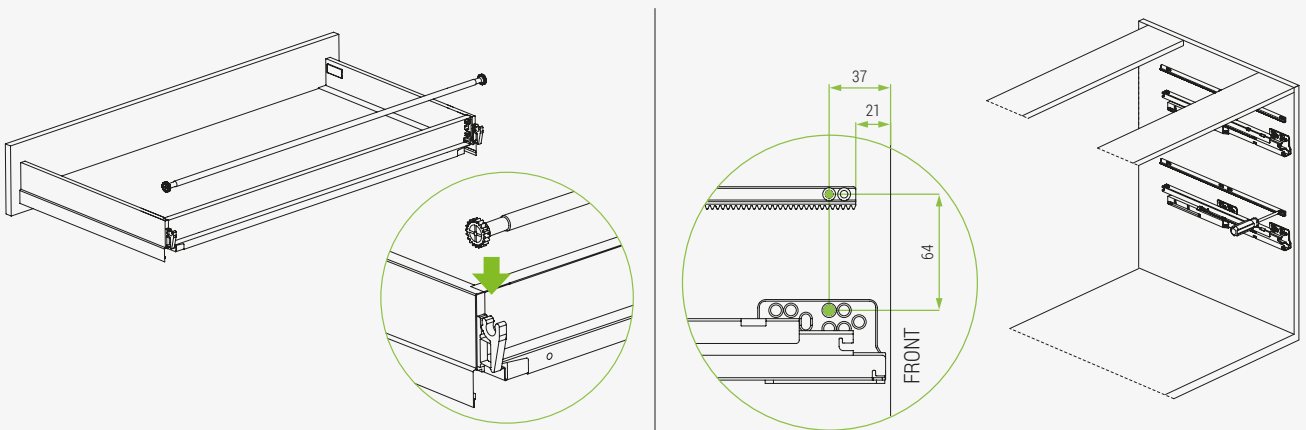
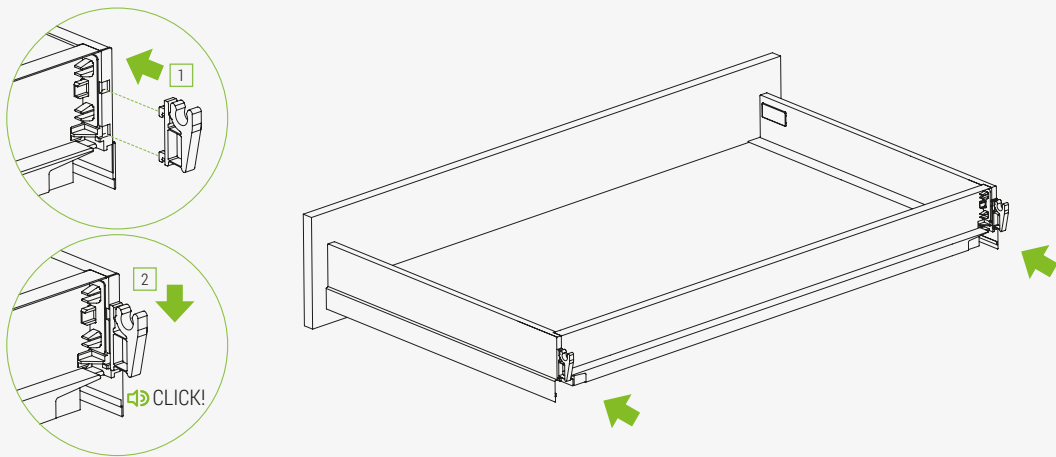
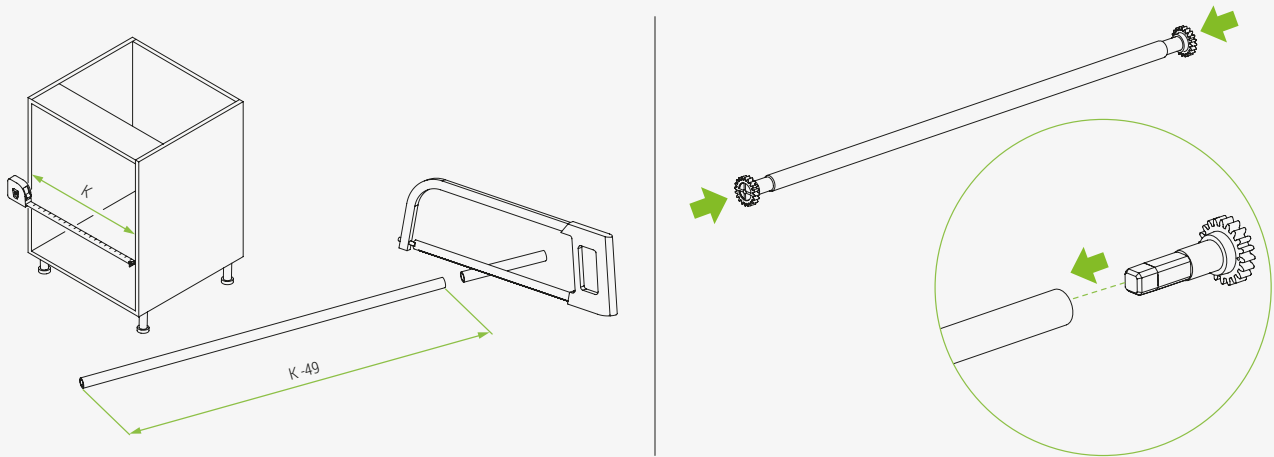


Drawer H180



# Instructions for use

## Stabilizer Kit assembly sequence

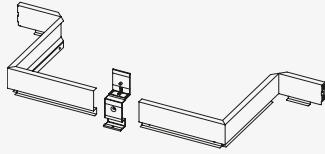




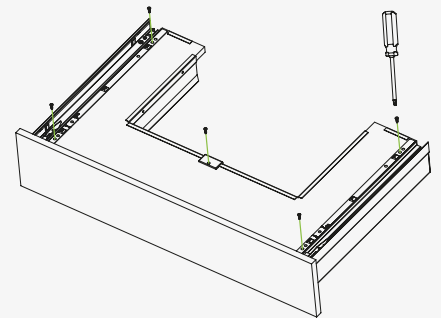
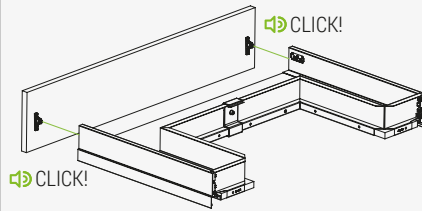
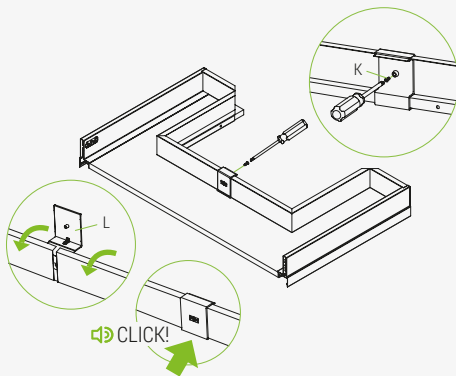
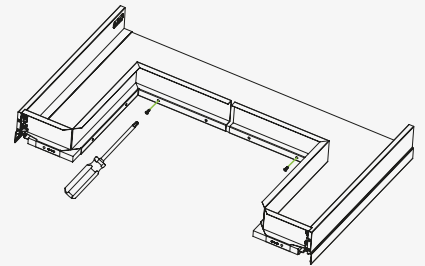
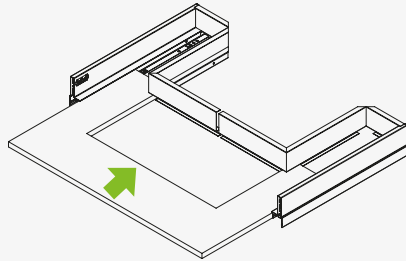
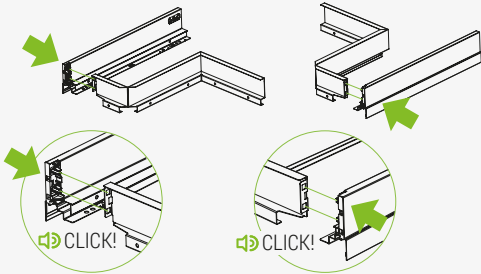
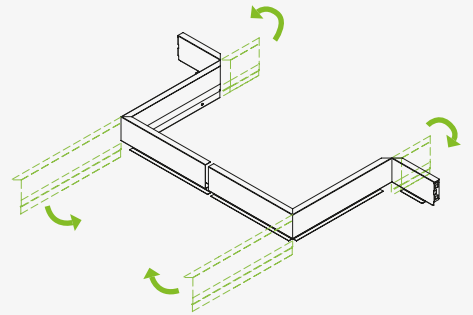
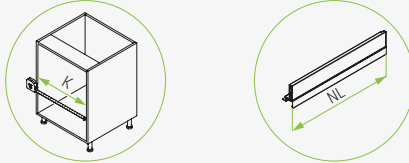
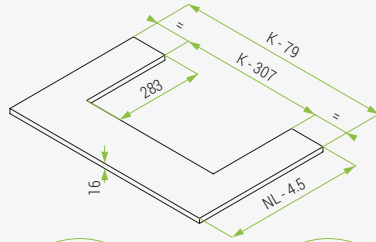
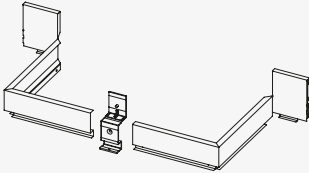
# Instructions for use

## Acquario undersink assembly sequence

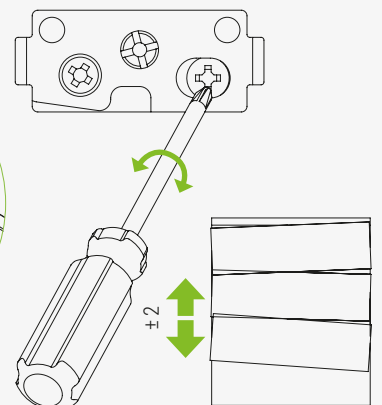
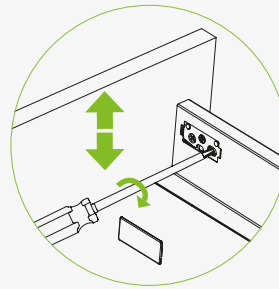
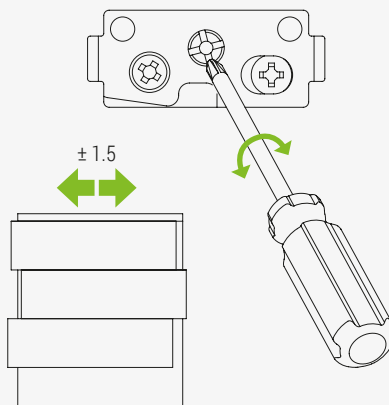
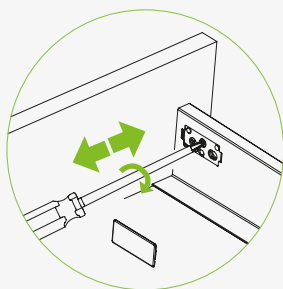
Drawer H90



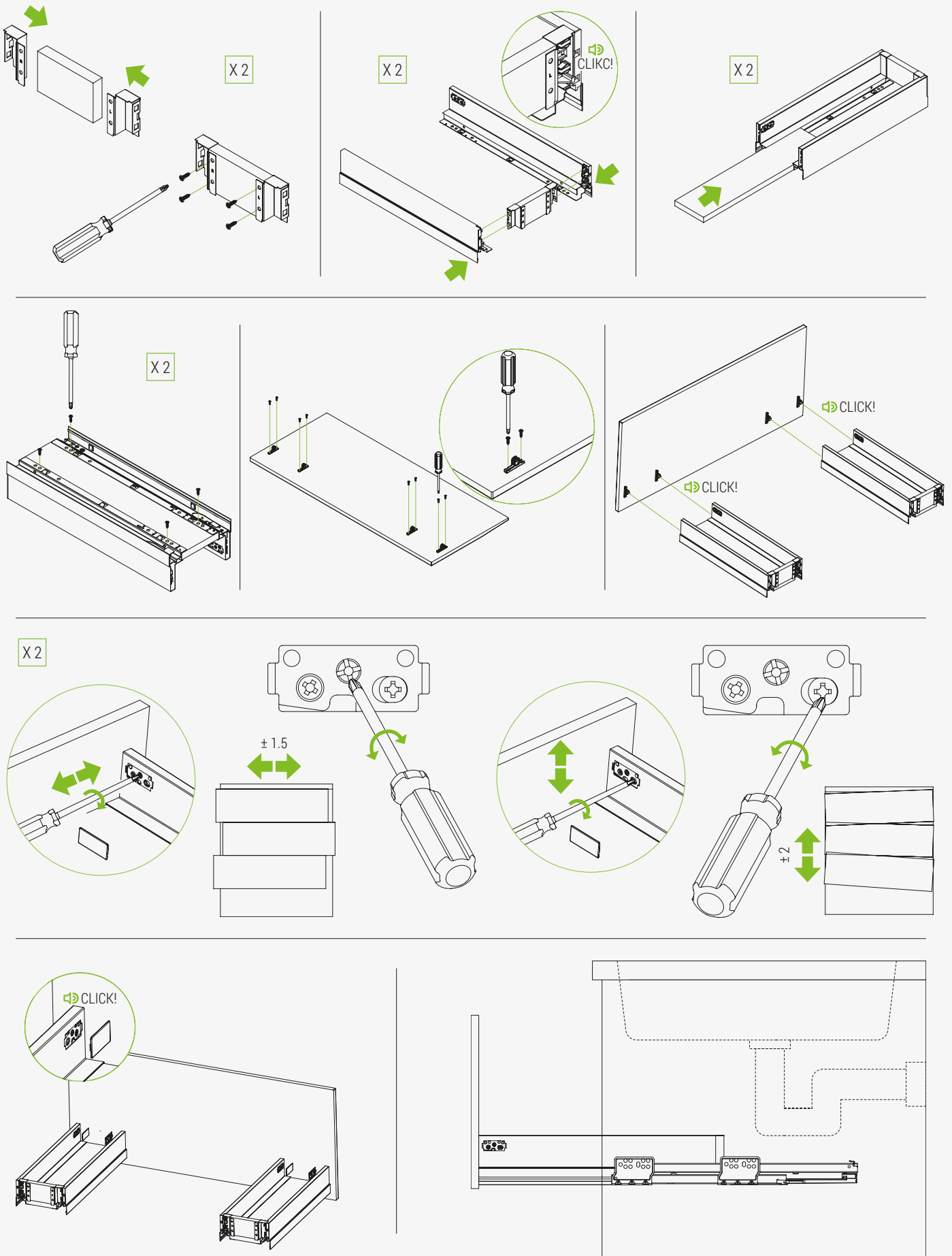
Drawer H180



X2

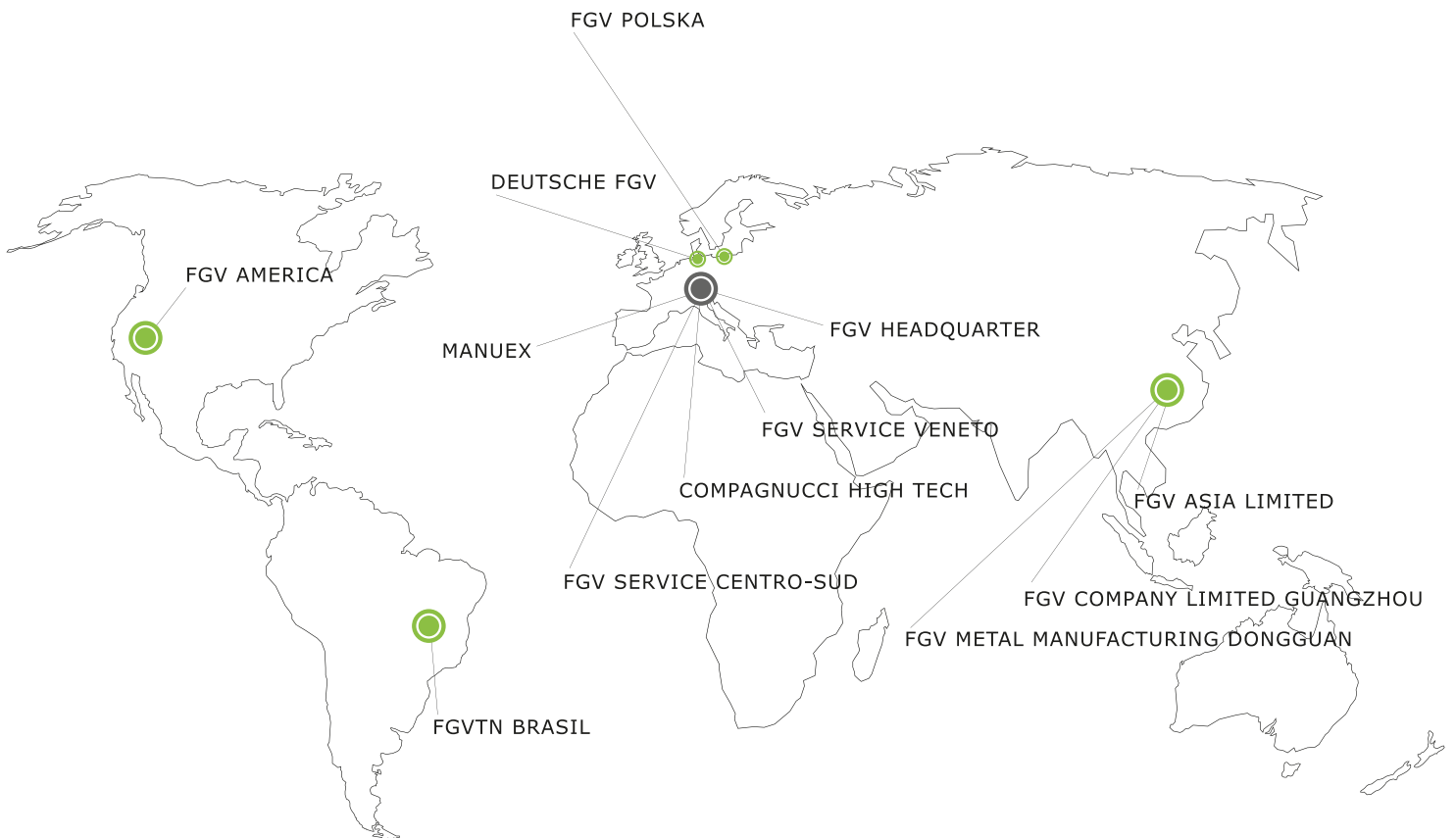


Kit undersink assembly sequence









DISCOVER FGV WORLD



FORMENTI & GIOVENZANA S.P.A.  
Via Concordia, 16 - 20837 Veduggio con Colzano (MB) - Italy  
T. +39 (0)362 9471 - F. +39 (0)362 998788 - info@fgv.it - www.fgv.it